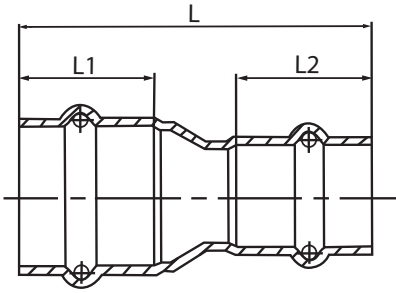


STAINLESS PRESS FITTINGS LIST

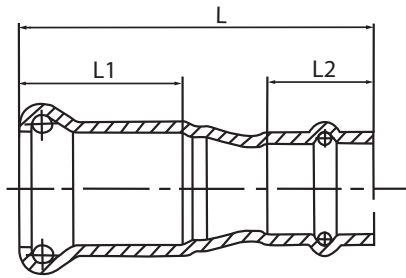
REDUCING COUPLING



WATER CODE	GAS CODE	HT CODE	L	L1	L2
FSPWRC2215.1	FSPGRC2215.1	FSPHTRC2215.1	68	24	22
FSPWRC2815.1	FSPGRC2815.1	FSPHTRC2815.1	70	24	22
FSPWRC2822.1	FSPGRC2822.1	FSPHTRC2822.1	74	24	24
FSPWRC3522.1	FSPGRC3522.1	FSPHTRC3522.1	93	28	24
FSPWRC3528.1	FSPGRC3528.1	FSPHTRC3528.1	81	28	24
FSPWRC4222.1	FSPGRC4222.1	FSPHTRC4222.1	87	38	24
FSPWRC4228.1	FSPGRC4228.1	FSPHTRC4228.1	111	38	24
FSPWRC4235.1	FSPGRC4235.1	FSPHTRC4235.1	99	38	28
FSPWRC5428.1	FSPGRC5428.1	FSPHTRC5428.1	91	41	24
FSPWRC5435.1	FSPGRC5435.1	FSPHTRC5435.1	96	41	28
FSPWRC5442.1	FSPGRC5442.1	FSPHTRC5442.1	110	36	31

*WHEN ORDERING 304L CHANGE .1 TO 2 AT END OF CODE

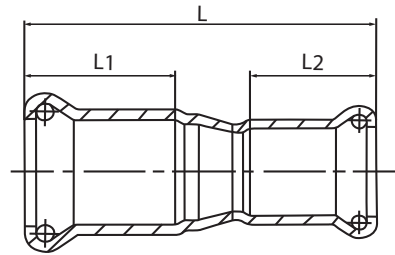
REDUCING COUPLING



WATER CODE	GAS CODE	HT CODE	L	L1	L2
FSPWRC7654.1	FSPGRC7654.1	FSPHTRC7654.1	159	60.5	41
FSPWRC10854.1	FSPGRC10854.1	FSPHTRC10854.1	195	75.5	41

*WHEN ORDERING 304L CHANGE .1 TO 2 AT END OF CODE

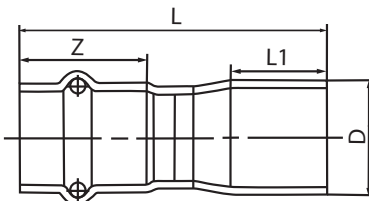
REDUCING COUPLING



WATER CODE	GAS CODE	HT CODE	L	L1	L2
FSPWRC10876.1	FSPGRC10876.1	FSPHTRC10876.1	217	75.5	60

*WHEN ORDERING 304L CHANGE .1 TO 2 AT END OF CODE

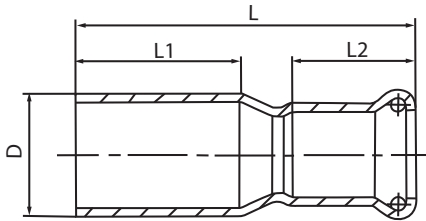
REDUCER



WATER CODE	GAS CODE	HT CODE	L	Z	L1	D
FSPWRMF2215.1	FSPGRMF2215.1	FSPHTRMF2215.1	66	22	30	22
FSPWRMF2815.1	FSPGRMF2815.1	FSPHTRMF2815.1	75	22	31	28
FSPWRMF2822.1	FSPGRMF2822.1	FSPHTRMF2822.1	66	24	31	28
FSPWRMF3522.1	FSPGRMF3522.1	FSPHTRMF3522.1	77	24	34	35
FSPWRMF3528.1	FSPGRMF3528.1	FSPHTRMF3528.1	73	24	34	35
FSPWRMF4222.1	FSPGRMF4222.1	FSPHTRMF4222.1	93	24	44	42
FSPWRMF4228.1	FSPGRMF4228.1	FSPHTRMF4228.1	92	24	44	42
FSPWRMF4235.1	FSPGRMF4235.1	FSPHTRMF4235.1	88	28	44	42
FSPWRMF5428.1	FSPGRMF5428.1	FSPHTRMF5428.1	100	24	51	54
FSPWRMF5435.1	FSPGRMF5435.1	FSPHTRMF5435.1	108	28	48	54
FSPWRMF5442.1	FSPGRMF5442.1	FSPHTRMF5442.1	113	38	48	54
FSPWRMF7654.1	FSPGRMF7654.1	FSPHTRMF7654.1	146	41	75	76.1
FSPWRMF10854.1	FSPGRMF10854.1	FSPHTRMF10854.1	210	41	90	108

*WHEN ORDERING 304L CHANGE .1 TO 2 AT END OF CODE

STAINLESS PRESS FITTINGS LIST



REDUCER

WATER CODE	GAS CODE	HT CODE	L	L2	L1	D
FSPWRMF10876.1	FSPGRMF10876.1	FSPHTRMF10876.1	196	60	90	108

*WHEN ORDERING 304L CHANGE .1 TO 2 AT END OF CODE

ELBOW

WATER CODE	GAS CODE	HT CODE	L	Z
FSPWE15.1	FSPGE15.1	FSPHTE15.1	46	22
FSPWE22.1	FSPGE22.1	FSPHTE22.1	55	24
FSPWE28.1	FSPGE28.1	FSPHTE28.1	66	24
FSPWE35.1	FSPGE35.1	FSPHTE35.1	79	28
FSPWE42.1	FSPGE42.1	FSPHTE42.1	101	38
FSPWE54.1	FSPGE54.1	FSPHTE54.1	120	41

*WHEN ORDERING 304L CHANGE .1 TO 2 AT END OF CODE

ELBOW

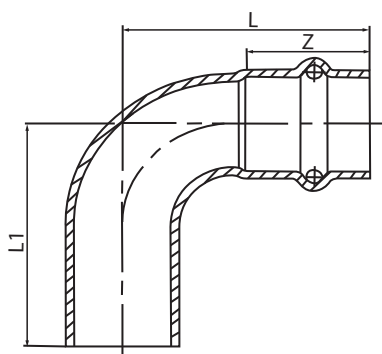
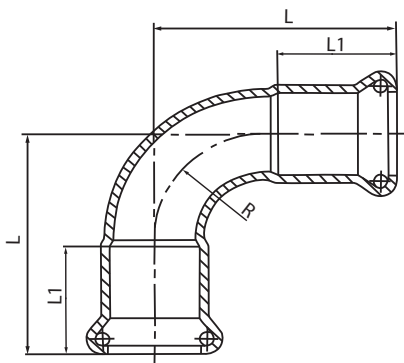
WATER CODE	GAS CODE	HT CODE	L	L1	R
FSPWE76.1	FSPGE76.1	FSPHTE76.1	188.5	60.5	114.15
FSPWE108.1	FSPGE108.1	FSPHTE108.1	259.5	75.5	162

*WHEN ORDERING 304L CHANGE .1 TO 2 AT END OF CODE

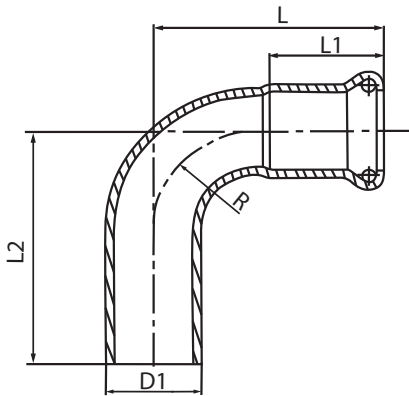
ELBOW M + F

WATER CODE	GAS CODE	HT CODE	L	Z	L1
FSPWEMF15.1	FSPGEMF15.1	FSPHTEMF15.1	46	22	53
FSPWEMF22.1	FSPGEMF22.1	FSPHTEMF22.1	55	24	63
FSPWEMF28.1	FSPGEMF28.1	FSPHTEMF28.1	66	24	74
FSPWEMF35.1	FSPGEMF35.1	FSPHTEMF35.1	79	28	85
FSPWEMF42.1	FSPGEMF42.1	FSPHTEMF42.1	101	38	107
FSPWEMF54.1	FSPGEMF54.1	FSPHTEMF54.1	120	41	125

*WHEN ORDERING 304L CHANGE .1 TO 2 AT END OF CODE



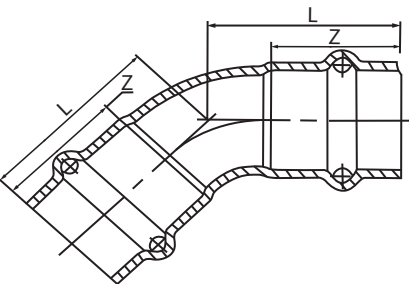
STAINLESS PRESS FITTINGS LIST



ELBOW M + F

WATER CODE	GAS CODE	HT CODE	D1	L	L1	L2	R
FSPWEMF76.1	FSPGEMF76.1	FSPHTEMF76.1	76.1	188.5	60.5	189	114.15
FSPWEMF108.1	FSPGEMF108.1	FSPHTEMF108.1	108	259.5	75.5	252	162

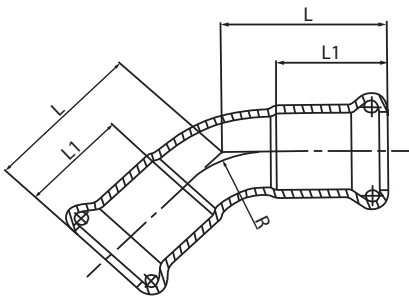
*WHEN ORDERING 304L CHANGE .1 TO 2 AT END OF CODE



45° ELBOW

WATER CODE	GAS CODE	HT CODE	L	Z
FSPW45E15.1	FSPG45E15.1	FSPHT45E15.1	35	22
FSPW45E22.1	FSPG45E22.1	FSPHT45E22.1	40	24
FSPW45E28.1	FSPG45E28.1	FSPHT45E28.1	45	24
FSPW45E35.1	FSPG45E35.1	FSPHT45E35.1	53	28
FSPW45E42.1	FSPG45E42.1	FSPHT45E42.1	70	38
FSPW45E54.1	FSPG45E54.1	FSPHT45E54.1	81	41

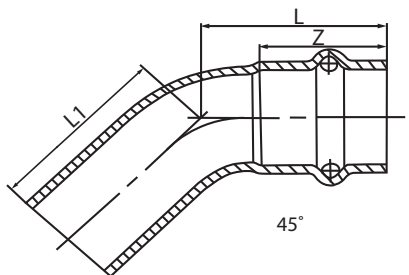
*WHEN ORDERING 304L CHANGE .1 TO 2 AT END OF CODE



45° ELBOW

WATER CODE	GAS CODE	HT CODE	L	L1	R
FSPW45E76.1	FSPG45E76.1	FSPHT45E76.1	121.5	60.5	114.15
FSPW45E108.1	FSPG45E108.1	FSPHT45E108.1	164.5	75.5	162

*WHEN ORDERING 304L CHANGE .1 TO 2 AT END OF CODE

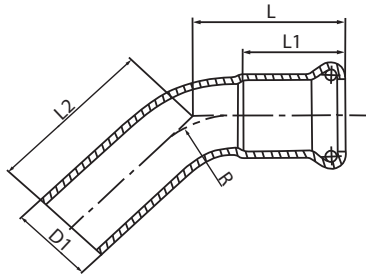


45° ELBOW M + F

WATER CODE	GAS CODE	HT CODE	L	Z	L1
FSPW45EMF15.1	FSPG45EMF15.1	FSPHT45EMF15.1	35	22	42
FSPW45EMF22.1	FSPG45EMF22.1	FSPHT45EMF22.1	40	24	47
FSPW45EMF28.1	FSPG45EMF28.1	FSPHT45EMF28.1	45	24	52
FSPW45EMF35.1	FSPG45EMF35.1	FSPHT45EMF35.1	53	28	59
FSPW45EMF42.1	FSPG45EMF42.1	FSPHT45EMF42.1	70	38	75
FSPW45EMF54.1	FSPG45EMF54.1	FSPHT45EMF54.1	81	41	85

*WHEN ORDERING 304L CHANGE .1 TO 2 AT END OF CODE

STAINLESS PRESS FITTINGS LIST

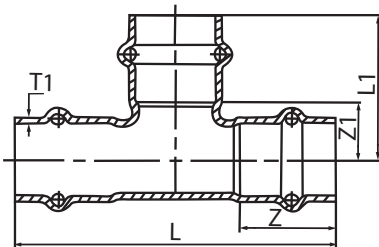


45° ELBOW M + F

WATER CODE	GAS CODE	HT CODE	D1	L	L1	L2	R
FSPW45EMF76.1	FSPG45EMF76.1	FSPHT45EMF76.1	76.1	121.5	60.5	122	114.15
FSPW45EMF108.1	FSPG45EMF108.1	FSPHT45EMF108.1	108	164.5	75.5	157	162

*WHEN ORDERING 304L CHANGE .1 TO 2 AT END OF CODE

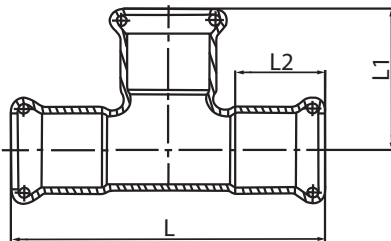
EQUAL TEE



WATER CODE	GAS CODE	HT CODE	L	Z	L1	Z1	T1
FSPWET15.1	FSPGET15.1	FSPHTET15.1	83	22	39	17	1.5
FSPWET22.1	FSPGET22.1	FSPHTET22.1	89	24	44	20	1.5
FSPWET28.1	FSPGET28.1	FSPHTET28.1	97	24	47	23	1.5
FSPWET35.1	FSPGET35.1	FSPHTET35.1	110	28	56	28	1.5
FSPWET42.1	FSPGET42.1	FSPHTET42.1	136	38	70	32	1.5
FSPWET54.1	FSPGET54.1	FSPHTET54.1	157	41	80	39	1.5

*WHEN ORDERING 304L CHANGE .1 TO 2 AT END OF CODE

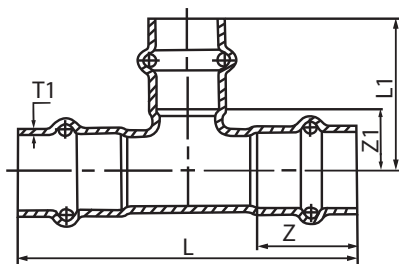
EQUAL TEE



WATER CODE	GAS CODE	HT CODE	L	L1	L2
FSPWET76.1	FSPGET76.1	FSPHTET76.1	227.5	117.5	60.5
FSPWET108.1	FSPGET108.1	FSPHTET108.1	301	157.5	75.5

*WHEN ORDERING 304L CHANGE .1 TO 2 AT END OF CODE

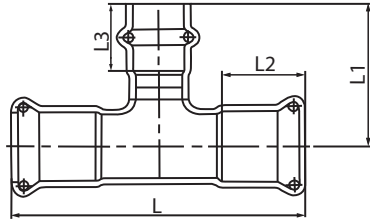
REDUCING TEE



WATER CODE	GAS CODE	HT CODE	L	Z	L1	Z1
FSPWRT222215.1	FSPGRT222215.1	FSPHTRT222215.1	89	24	43	21
FSPWRT282815.1	FSPGRT282815.1	FSPHTRT282815.1	97	24	55	34
FSPWRT282822.1	FSPGRT282822.1	FSPHTRT282822.1	97	24	58	36
FSPWRT353515.1	FSPGRT353515.1	FSPHTRT353515.1	110	28	59	38
FSPWRT353522.1	FSPGRT353522.1	FSPHTRT353522.1	110	28	62	40
FSPWRT353528.1	FSPGRT353528.1	FSPHTRT353528.1	110	28	51	27
FSPWRT424222.1	FSPGRT424222.1	FSPHTRT424222.1	136	38	54	30
FSPWRT424228.1	FSPGRT424228.1	FSPHTRT424228.1	136	38	55	31
FSPWRT424235.1	FSPGRT424235.1	FSPHTRT424235.1	136	38	60	32
FSPWRT545422.1	FSPGRT545422.1	FSPHTRT545422.1	157	41	60	36
FSPWRT545428.1	FSPGRT545428.1	FSPHTRT545428.1	157	41	61	37
FSPWRT545435.1	FSPGRT545435.1	FSPHTRT545435.1	157	41	66	38
FSPWRT545442.1	FSPGRT545442.1	FSPHTRT545442.1	157	41	76	38

*WHEN ORDERING 304L CHANGE .1 TO 2 AT END OF CODE

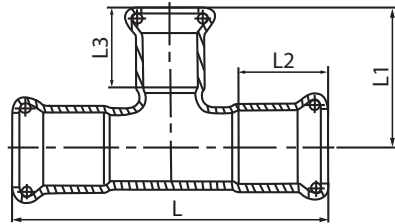
STAINLESS PRESS FITTINGS LIST



REDUCING TEE

WATER CODE	GAS CODE	HT CODE	L	L1	L2	L3
FSPWRT767622.1	FSPGRT767622.1	FSPHTRT767622.1	227.5	71.5	60	24
FSPWRT767628.1	FSPGRT767628.1	FSPHTRT767628.1	227.5	71.5	60	24
FSPWRT767635.1	FSPGRT767635.1	FSPHTRT767635.1	227.5	77	60	28
FSPWRT767642.1	FSPGRT767642.1	FSPHTRT767642.1	227.5	87.5	60	38
FSPWRT767654.1	FSPGRT767654.1	FSPHTRT767654.1	227.5	90.5	60	41
FSPWRT10810822.1	FSPGRT10810822.1	FSPHTRT10810822.1	301	89.5	75	24
FSPWRT10810828.1	FSPGRT10810828.1	FSPHTRT10810828.1	301	88.5	75	24
FSPWRT10810835.1	FSPGRT10810835.1	FSPHTRT10810835.1	301	94	75	28
FSPWRT10810842.1	FSPGRT10810842.1	FSPHTRT10810842.1	301	104.5	75	38
FSPWRT10810854.1	FSPGRT10810854.1	FSPHTRT10810854.1	301	107.5	75	41

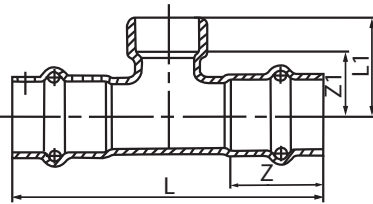
*WHEN ORDERING 304L CHANGE .1 TO 2 AT END OF CODE



REDUCING TEE

WATER CODE	GAS CODE	HT CODE	L	L1	L2	L3
FSPWRT10810876.1	FSPGRT10810876.1	FSPHTRT10810876.1	301	134.50	75	60.5

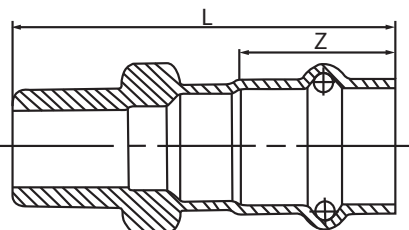
*WHEN ORDERING 304L CHANGE .1 TO 2 AT END OF CODE



FEMALE CENTRE TEE

WATER CODE	GAS CODE	HT CODE	L	Z	L1	Z1
FSPWFT151515.1	FSPGFT151515.1	FSPHTFT151515.1	83	22	36	21
FSPWFT222215.1	FSPGFT222215.1	FSPHTFT222215.1	89	24	40	25
FSPWFT222220.1	FSPGFT222220.1	FSPHTFT222220.1	89	24	42	26
FSPWFT282815.1	FSPGFT282815.1	FSPHTFT282815.1	97	24	42	27
FSPWFT282820.1	FSPGFT282820.1	FSPHTFT282820.1	97	24	44	28
FSPWFT282825.1	FSPGFT282825.1	FSPHTFT282825.1	97	24	48	29
FSPWFT353515.1	FSPGFT353515.1	FSPHTFT353515.1	110	28	46	31
FSPWFT353532.1	FSPGFT353532.1	FSPHTFT353532.1	110	28	56	35
FSPWFT424232.1	FSPWGT424232.1	FSPHTFT424232.1	136	38	60	39
FSPWFT545415.1	FSPGFT545415.1	FSPHTFT545415.1	157	41	56	41
FSPWFT545450.1	FSPGFT545450.1	FSPHTFT545450.1	157	41	72	46

*WHEN ORDERING 304L CHANGE .1 TO 2 AT END OF CODE

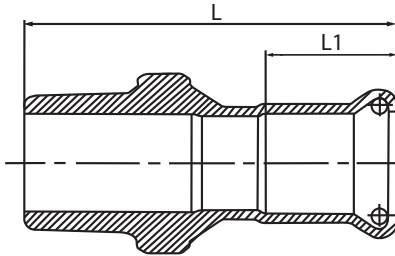


MALE STRAIGHT CONNECTOR

WATER CODE	GAS CODE	HT CODE	L	Z
FSPWMSC1515.1	FSPGMSC1515.1	FSPHTMSC1515.1	55	22
FSPWMSC2215.1	FSPGMSC2215.1	FSPHTMSC2215.1	56	24
FSPWMSC2220.1	FSPGMSC2220.1	FSPHTMSC2220.1	58	24
FSPWMSC2825.1	FSPGMSC2825.1	FSPHTMSC2825.1	62	24
FSPWMSC3532.1	FSPGMSC3532.1	FSPHTMSC3532.1	71	28
FSPWMSC4240.1	FSPGMSC4240.1	FSPHTMSC4240.1	82	38
FSPWMSC5450.1	FSPGMSC5450.1	FSPHTMSC5450.1	92	41

*WHEN ORDERING 304L CHANGE .1 TO 2 AT END OF CODE

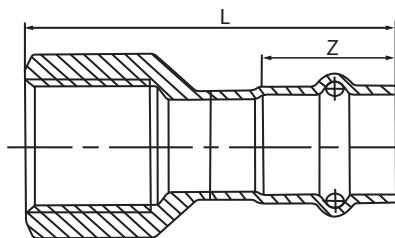
STAINLESS PRESS FITTINGS LIST



MALE STRAIGHT CONNECTOR

WATER CODE	GAS CODE	HT CODE	L	L1
FSPWMSC7665.1	FSPGMSC7665.1	FSPHTMSC7665.1	121	60
FSPWMSC7680.1	FSPGMSC7680.1	FSPHTMSC7680.1	124	60
FSPWMSC108100.1	FSPGMSC108100.1	FSPHTMSC108100.1	157	65

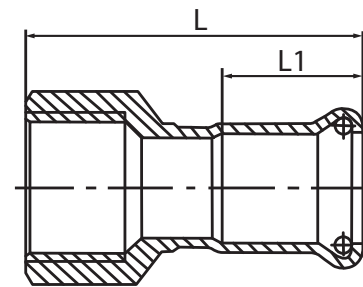
*WHEN ORDERING 304L CHANGE .1 TO 2 AT END OF CODE



FEMALE STRAIGHT CONNECTOR

WATER CODE	GAS CODE	HT CODE	L	Z	T1
FSPWFSC1515.1	FSPGFSC1515.1	FSPHTFSC1515.1	51	22	1.5
FSPWFSC2215.1	FSPGFSC2215.1	FSPHTFSC2215.1	52	24	1.5
FSPWFSC2220.1	FSPGFSC2220.1	FSPHTFSC2220.1	54	24	1.5
FSPWFSC2825.1	FSPGFSC2825.1	FSPHTFSC2825.1	59	24	1.5
FSPWFSC3532.1	FSPGFSC3532.1	FSPHTFSC3532.1	68	28	1.5
FSPWFSC4240.1	FSPGFSC4240.1	FSPHTFSC4240.1	80	38	1.5
FSPWFSC5450.1	FSPGFSC5450.1	FSPHTFSC5450.1	88	41	1.5

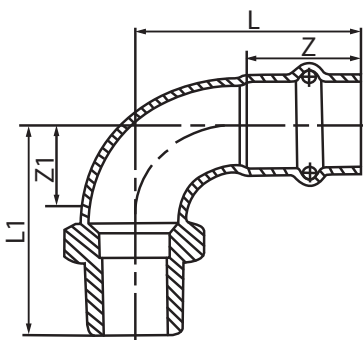
*WHEN ORDERING 304L CHANGE .1 TO 2 AT END OF CODE



FEMALE STRAIGHT CONNECTOR

WATER CODE	GAS CODE	HT CODE	L	L1
FSPWFSC7665.1	FSPGFSC7665.1	FSPHTFSC7665.1	118	60
FSPWFSC7680.1	FSPGFSC7680.1	FSPHTFSC7680.1	124	60
FSPWFSC108100.1	FSPGFSC108100.1	FSPHTFSC108100.1	147	65

*WHEN ORDERING 304L CHANGE .1 TO 2 AT END OF CODE

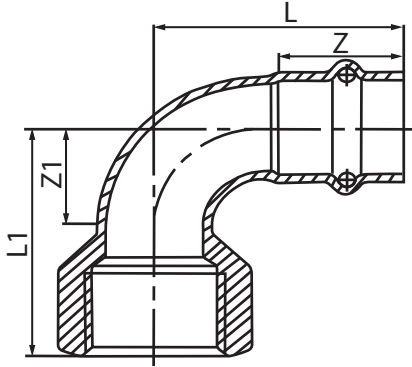


MALE ELBOW

WATER CODE	GAS CODE	HT CODE	L	Z	L1	Z1
FSPWME1515.1	FSPGME1515.1	FSPHTME1515.1	46	22	47	19
FSPWME2220.1	FSPGME2220.1	FSPHTME2220.1	55	24	57	27
FSPWME2825.1	FSPGME2825.1	FSPHTME2825.1	66	24	69	36
FSPWME3532.1	FSPGME3532.1	FSPHTME3532.1	79	28	82	45
FSPWME4240.1	FSPGME4240.1	FSPHTME4240.1	101	38	90	53
FSPWME5450.1	FSPGME5450.1	FSPHTME5450.1	120	41	111	67

*WHEN ORDERING 304L CHANGE .1 TO 2 AT END OF CODE

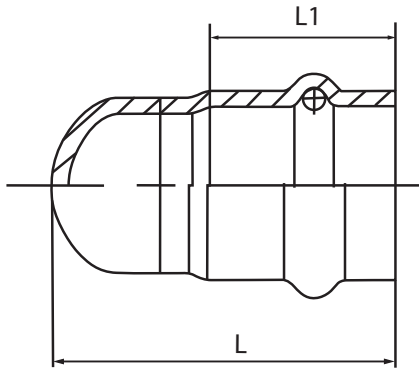
STAINLESS PRESS FITTINGS LIST



FEMALE ELBOW

WATER CODE	GAS CODE	HT CODE	L	Z	L1	Z1
FSPWFE1515.1	FSPGFE1515.1	FSPHTEFE1515.1	46	22	43	19
FSPWFE2220.1	FSPGFE2220.1	FSPHTEFE2220.1	55	24	53	27
FSPWFE2825.1	FSPGFE2825.1	FSPHTEFE2825.1	66	24	66	36
FSPWFE3532.1	FSPGFE3532.1	FSPHTEFE3532.1	79	28	79	45
FSPWFE4240.1	FSPGFE4240.1	FSPHTEFE4240.1	101	38	88	53
FSPWFE5450.1	FSPGFE5450.1	FSPHTEFE5450.1	120	41	107	67

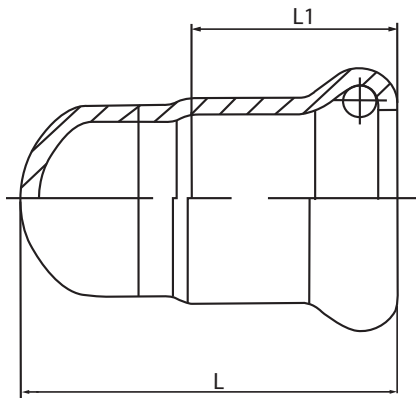
*WHEN ORDERING 304L CHANGE .1 TO 2 AT END OF CODE



END CAP

WATER CODE	GAS CODE	HT CODE	L	L1
FSPWEC15.1	FSPGEC15.1	FSPHTEC15.1	32	22
FSPWEC22.1	FSPGEC22.1	FSPHTEC22.1	34	24
FSPWEC28.1	FSPGEC28.1	FSPHTEC28.1	35	24
FSPWEC35.1	FSPGEC35.1	FSPHTEC35.1	40	28
FSPWEC42.1	FSPGEC42.1	FSPHTEC42.1	52	38
FSPWEC54.1	FSPGEC54.1	FSPHTEC54.1	56	41

*WHEN ORDERING 304L CHANGE .1 TO 2 AT END OF CODE

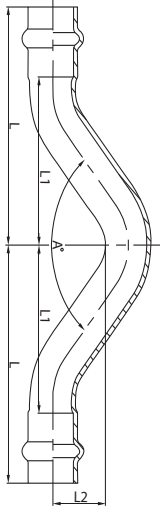


END CAP

WATER CODE	GAS CODE	HT CODE	L	L1
FSPWEC76.1	FSPGEC76.1	FSPHTEC76.1	105.5	60
FSPWEC108.1	FSPGEC108.1	FSPHTEC108.1	137	75

*WHEN ORDERING 304L CHANGE .1 TO 2 AT END OF CODE

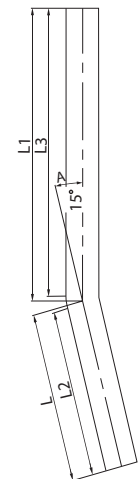
STAINLESS PRESS FITTINGS LIST



FULL CROSS OVER

WATER CODE	GAS CODE	HT CODE	L	L1	L2	A
FSPWFCO15.1	FSPGFCO15.1	FSPHTFCO15.1	75	53	21	100°
FSPWFCO22.1	FSPGFCO22.1	FSPHTFCO22.1	95	65	26	100°
FSPWFCO28.1	FSPGFCO28.1	FSPHTFCO28.1	105	85	28	100°

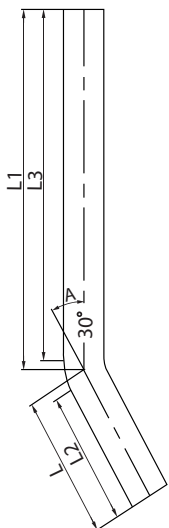
*WHEN ORDERING 304L CHANGE .1 TO .2 AT END OF CODE



15° PIPE BRIDGE

WATER CODE	A	L	L1	L2	L3
FSPW15TBP15.1	15	66	125	62	122
FSPW15TBP22.1	15	75	150	71	146
FSPW15TBP28.1	15	85	200	79.5	194.5
FSPW15TBP35.1	15	92	225	85	218
FSPW15TBP42.1	15	113	250	105	242
FSPW15TBP54.1	15	131	300	120.5	289.5
FSPW15TBP76.1	15	162	350	147	335
FSPW15TBP108.1	15	231	350	210	329

*WHEN ORDERING 304L CHANGE .1 TO .2 AT END OF CODE

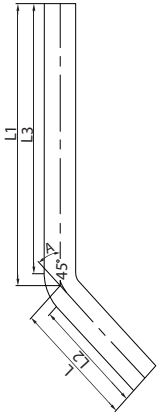


30° PIPE BRIDGE

WATER CODE	A	L	L1	L2	L3
FSPW30TBP15.1	30	66	125	60	119
FSPW30TBP22.1	30	75	150	66	141
FSPW30TBP28.1	30	85	200	74	189
FSPW30TBP35.1	30	92	225	78	211
FSPW30TBP42.1	30	113	250	96	233
FSPW30TBP54.1	30	131	300	109	278
FSPW30TBP76.1	30	162	350	131.5	319.5
FSPW30TBP108.1	30	231	350	187.5	306.5

*WHEN ORDERING 304L CHANGE .1 TO .2 AT END OF CODE

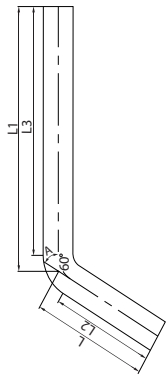
STAINLESS PRESS FITTINGS LIST



45° PIPE BRIDGE

WATER CODE	A	L	L1	L2	L3
FSPW45TBP15.1	45	66	125	57	116
FSPW45TBP22.1	45	75	150	61.5	136.5
FSPW45TBP28.1	45	85	200	67.5	182.5
FSPW45TBP35.1	45	92	225	70.5	203.5
FSPW45TBP42.1	45	113	250	87	224
FSPW45TBP54.1	45	131	300	97.5	266.5
FSPW45TBP76.1	45	162	350	115	303
FSPW45TBP108.1	45	231	350	164	283

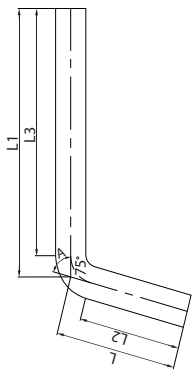
*WHEN ORDERING 304L CHANGE .1 TO .2 AT END OF CODE



60° PIPE BRIDGE

WATER CODE	A	L	L1	L2	L3
FSPW60TBP15.1	60	66	125	53	112
FSPW60TBP22.1	60	75	150	56	131
FSPW60TBP28.1	60	85	200	61	176
FSPW60TBP35.1	60	92	225	62	195
FSPW60TBP42.1	60	113	250	77	214
FSPW60TBP54.1	60	131	300	84	253
FSPW60TBP76.1	60	162	350	96	284
FSPW60TBP108.1	60	231	350	137.5	256.5

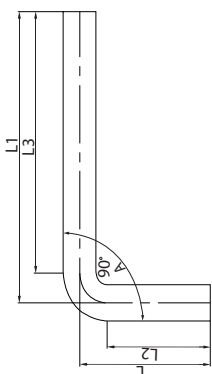
*WHEN ORDERING 304L CHANGE .1 TO .2 AT END OF CODE



75° PIPE BRIDGE

WATER CODE	A	L	L1	L2	L3
FSPW75TBP15.1	75	66	125	49	108
FSPW75TBP22.1	75	75	150	50	125
FSPW75TBP28.1	75	85	200	53	168
FSPW75TBP35.1	75	92	225	52	185
FSPW75TBP42.1	75	113	250	65	202
FSPW75TBP54.1	75	131	300	69	238
FSPW75TBP76.1	75	162	350	74.5	262.5
FSPW75TBP108.1	75	231	350	107	226

*WHEN ORDERING 304L CHANGE .1 TO .2 AT END OF CODE

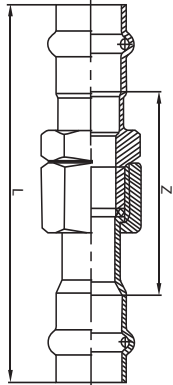


90° PIPE BRIDGE

WATER CODE	A	L	L1	L2	L3
FSPW30TBP15.1	90	62	125	39.5	102.5
FSPW30TBP22.1	90	73	150	40	117
FSPW30TBP28.1	90	85	200	43	158
FSPW30TBP35.1	90	92	225	39.5	172.5
FSPW30TBP42.1	90	113	250	50	187
FSPW30TBP54.1	90	131	300	50	219
FSPW30TBP76.1	90	162	350	48	236
FSPW30TBP108.1	90	231	350	69	188

*WHEN ORDERING 304L CHANGE .1 TO .2 AT END OF CODE

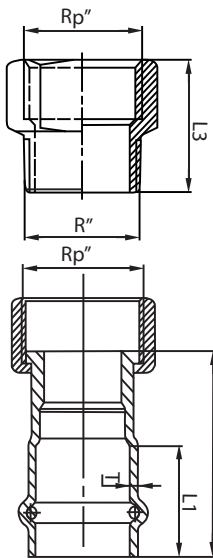
STAINLESS PRESS FITTINGS LIST



BARREL UNION

WATER CODE	GAS CODE	HT CODE	D	L	Z
SPWBU1515.1	FSPGBU1515.1	FSPHTBU1515.1	15X1/2	100	56
FSPWBU2222.1	FSPGBU2222.1	FSPHTBU2222.1	22X3/4	108	60
FSPWBU2828.1	FSPGBU2828.1	FSPHTBU2828.1	28X1	120	72
FSPWBU3535.1	FSPGBU3535.1	FSPHTBU3535.1	35X1-1/4	126	70
FSPWBU4242.1	FSPGBU4242.1	FSPHTBU4242.1	42X1-1/2	152	76
FSPWBU5454.1	FSPGBU5454.1	FSPHTBU5454.1	54X2	166	84

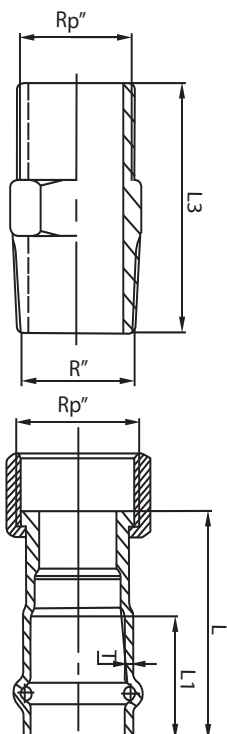
*WHEN ORDERING 304L CHANGE .1 TO .2 AT END OF CODE



FEMALE BARREL UNION

WATER CODE	GAS CODE	HT CODE	L	L1	L3	
FSPWFBU1515.1	FSPGFBU1515.1	FSPHTFBU1515.1	15X1/2	48	22	31
FSPWFBU2220.1	FSPGFBU2220.1	FSPHTFBU2220.1	22X3/4	51	24	34.5
FSPWFBU2825.1	FSPGFBU2825.1	FSPHTFBU2825.1	28X1	51	24	39
FSPWFBU3532.1	FSPGFBU3532.1	FSPHTFBU3532.1	35X11/4	56	28	42
FSPWFBU4240.1	FSPGFBU4240.1	FSPHTFBU4240.1	42X11/2	72	38	47.5
FSPWFBU5450.1	FSPGFBU5450.1	FSPHTFBU5450.1	54X2	78	41	52.5

*WHEN ORDERING 304L CHANGE .1 TO .2 AT END OF CODE

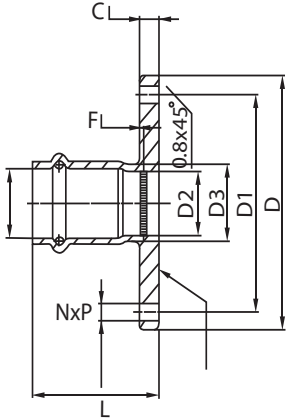


MALE BARREL UNION

WATER CODE	GAS CODE	HT CODE	L	L1	L3	
FSPWMBU1515.1	FSPGMBU1515.1	FSPHTMBU1515.1	15X1/2	48	22	42
FSPWMBU2220.1	FSPGMBU2220.1	FSPHTMBU2220.1	22X3/4	51	24	46
FSPWMBU2825.1	FSPGMBU2825.1	FSPHTMBU2825.1	28X1	51	24	53
FSPWMBU3532.1	FSPGMBU3532.1	FSPHTMBU3532.1	35X11/4	56	28	61
FSPWMBU4240.1	FSPGMBU4240.1	FSPHTMBU4240.1	42X11/2	72	38	64
FSPWMBU5450.1	FSPGMBU5450.1	FSPHTMBU5450.1	54X2	78	41	76

*WHEN ORDERING 304L CHANGE .1 TO .2 AT END OF CODE

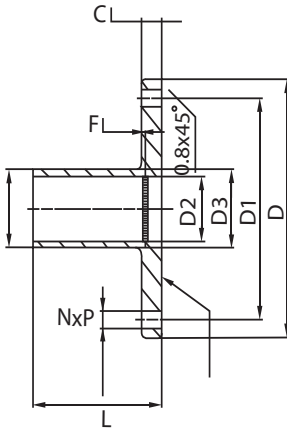
STAINLESS PRESS FITTINGS LIST



FLANGE ADAPTOR TABLE 'E'

WATER CODE	GAS CODE	HT CODE	L	D	D1	D2	D3	C	F	NxP	B	R
FSPWF4A15.1	FSPGF4A15.1	FSPHTF4A15.1	45	95	64	14.0	17.0	7.0	3.0	4X14	M12	2.0
FSPWF4A22.1	FSPGF4A22.1	FSPHTF4A22.1	48	100	73	21.0	24.0	7.0	3.0	4X14	M12	2.0
FSPWF4A28.1	FSPGF4A28.1	FSPHTF4A28.1	52	115	83	25.0	28.0	8.0	3.0	4X14	M12	2.0
FSPWF4A35.1	FSPGF4A35.1	FSPHTF4A35.1	59	120	87	32.0	35.0	9.5	3.0	4X14	M12	2.0
FSPWF4A42.1	FSPGF4A42.1	FSPHTF4A42.1	78	135	98	39.0	42.0	9.5	3.0	4X14	M12	2.0
FSPWF4A54.1	FSPGF4A54.1	FSPHTF4A54.1	99	150	114	51.0	54.0	10.0	3.0	4X18	M16	2.0
FSPWF4A76.1	FSPGF4A76.1	FSPHTF4A76.1	90	185	146	72.1	76.1	11.0	3.0	4X18	M16	2.5
FSPWF8A108.1	FSPGF8A108.1	FSPHTF8A108.1	116	215	178	104	108	13.0	3.0	8X18	M16	2.5

*WHEN ORDERING 304L CHANGE .1 TO .2 AT END OF CODE



FLANGE STEM ADAPTOR TABLE 'E'

WATER CODE	GAS CODE	HT CODE	L	D	D1	D2	D3	C	F	NxP	B	R
FSPWF4S15.1	FSPGF4S15.1	FSPHTF4S15.1	248	95	67	14.0	17.0	7.0	3.0	4X14	M12	2.0
FSPWF4S22.1	FSPGF4S22.1	FSPHTF4S22.1	248	100	73	21.0	24.0	7.0	3.0	4X14	M12	2.0
FSPWF4S28.1	FSPGF4S28.1	FSPHTF4S28.1	248	115	83	25.0	28.0	8.0	3.0	4X14	M12	2.0
FSPWF4S35.1	FSPGF4S35.1	FSPHTF4S35.1	251	120	87	32.0	35.0	9.5	3.0	4X14	M12	2.0
FSPWF4S42.1	FSPGF4S42.1	FSPHTF4S42.1	258	135	98	39.0	42.0	9.5	3.0	4X14	M12	2.0
FSPWF4S54.1	FSPGF4S54.1	FSPHTF4S54.1	260	150	114	51.0	54.0	10.0	3.0	4X14	M16	2.0
FSPWF4S76.1	FSPGF4S76.1	FSPHTF4S76.1	259	185	146	72.1	76.1	11.0	3.0	4X18	M16	2.5
FSPWF8S108.1	FSPGF8S108.1	FSPHTF8S108.1	254	215	178	104	108	13.0	3.0	8X18	M16	2.5

*WHEN ORDERING 304L CHANGE .1 TO .2 AT END OF CODE

KEY: N = NUMBER OF HOLES P = SIZE OF HOLE B = BOLT