



**FORZA™**  
GLOBAL  
World Force in Plumbing Systems

**FORZA**  
**STAINLESS V PRESS**

™

**SPECIFICATIONS &  
INSTALLATION GUIDE**

ANOTHER QUALITY  
PRODUCT BY  
FORZA GLOBAL

EDITION: 0001



Forza Global in partnership with one of the world's leading stainless steel manufacturers has developed a stainless press system that is fit for purpose for the Australian and New Zealand markets

Forza Stainless Press is available in sizes DN15 through to DN108 with full ranges for water, gas and high temperature application in both 304L and 316L grade.

## **WHY INSTALL FORZA STAINLESS PRESS?**

- No welding required, eliminating the need for hot works permit
- Fittings up to 54mm are 'V' profile
- 316L range is rated to 40 bar
- All fittings and packaging are colour coded to avoid mistakes upon application
- Dedicated technical support
- Cost saving on installation
- Fittings up to 54mm fitted with leak detection O rings
- Temperature rated to 200°C
- User friendly portable tooling
- Longer service life



## CERTIFICATION & TESTING : FITTINGS

Forza Stainless Press has a Watermark license / certificate and is compliant to AS3688:2016 Water Supply and gas systems-Metallic fittings and end connectors and AS4020.

Below is a list of tests performed to comply with watermark requirements:

### WATER FITTINGS

- Leak tightness under pressure
- Strength of joint assembly (pressure cycling test)
- Resistance to pull-out assembled joints
- Leak tightness under internal pressure while subjected to bending

### GAS FITTINGS

- Resistance to pull-out of assembled joints
- Leak tightness under internal pressure whilst subjected to bending
- Vacuum test leak tightness of joints with tube under vacuum
- Leak tightness under internal pneumatic pressure
- Resistance of gas press fittings to temperature cycling
- Resistance of press fitting joints and tubes to vibration
- Resistance of gas press fittings to high temperature



# CERTIFICATE OF CONFORMITY

*ApprovalMark International* hereby grants:

**Forza Global Pty Ltd**

2/8 Barclay Road,  
Derrimut 3030  
AUSTRALIA

**WaterMark Certificate of Conformity – Level 1**

Evaluated to:

**AS 3688: 2016 - Water supply and gas systems - Metallic fittings and end-connectors**

The WaterMark licensee shall comply with all the terms and conditions as stipulated by the governance of the operating rules of WaterMark, and shall comply with standard requirement at all times including when standard is amended. The WaterMark license only covers the product which is identified in the product schedule.

**Certificate No. WM 74656**

**Issued: 6<sup>th</sup> December 2016**

**Expires: 6<sup>th</sup> December 2021**

**Originally Certified: 6<sup>th</sup> December 2016**

**Current Certification: 6<sup>th</sup> December 2016**

**John PRASAD**

Certification Manager



ApprovalMark Certification



**WaterMark**

ApprovalMark

## **CERTIFICATION & TESTING: TUBE**

Forza Stainless Steel tube has a Watermark license/certificate and is compliant to ATS5200.053:2008 – plumbing and drainage products - Stainless Steel pipes and tubes for pressure application and AS/NZS 4020:2005 - Testing of products for use in contact with drinking water.

Below is a list of tests performed to comply with Watermark requirements :

### **DIMENSIONS AND TOLERANCES**

- Mean outside diameter
  - Thickness
  - Ovality
- 

### **PERFORMANCE AND TEST METHODS**

- Contamination of water (complies with AS/NZS 4020)
- Hardness test
- Internal surface quality
- Watertightness





# CERTIFICATE OF CONFORMITY

*ApprovalMark International* hereby grants:

**Forza Global Pty Ltd**

2/8 Barclay Road,  
Derrimut 3030  
AUSTRALIA

**WaterMark Certificate of Conformity – Level 1**

Evaluated to:

**ATS 5200.053: 2008 - Plumbing and drainage products - Stainless steel pipes and tubes for pressure application**

The WaterMark licensee shall comply with all the terms and conditions as stipulated by the governance of the operating rules of WaterMark, and shall comply with standard requirement at all times including when standard is amended. The WaterMark license only covers the product which is identified in the product schedule.

**Certificate No. WM 74655**

**Issued: 14<sup>th</sup> December 2016**

**Expires: 14<sup>th</sup> December 2021**

**Originally Certified: 14<sup>th</sup> December 2016**

**Current Certification: 14<sup>th</sup> December 2016**

**John PRASAD**

Certification Manager



ApprovalMark Certification



**WaterMark**

ApprovalMark

### FORZA STAINLESS TUBE CHART 316L

CODE	SIZE	LENGTH	WALL THICKNESS
FST15316L	15MM	6M	1.0MM
FST22316L	22MM	6M	1.2MM
FST28304L	28MM	6M	1.2MM
FST35316L	35MM	6M	1.5MM
FST42316L	42MM	6M	1.5MM
FST54316L	54MM	6M	1.5MM
FST76316L	76.1MM	6M	2.0MM
FST108316L	108MM	6M	2.0MM

### FORZA STAINLESS TUBE CHART 304L

CODE	SIZE	LENGTH	WALL THICKNESS
FST15304L	15MM	6M	1.0MM
FST22304L	22MM	6M	1.2MM
FST28304L	28MM	6M	1.2MM
FST35304L	35MM	6M	1.5MM
FST42304L	42MM	6M	1.5MM
FST54304L	54MM	6M	1.5MM
FST76304L	76.1MM	6M	2.0MM
FST108304L	108MM	6M	2.0MM

## O-RING SELECTION CHART

	WATER EPDM	HT FKM	GAS HNBR
<b>MEDIUM APPLICATIONS</b>			
POTABLE WATER	●	●	
NON-POTABLE WATER	●	●	
SOLAR SYSTEM		●	
FLOW AND RETURN INDUSTRIAL FLUIDS	●	●	
FUEL AND NATURAL GAS			●
SPECIALIST AND LIQUID GAS	●	●	●
FIRE SPRINKLER	●		
FUEL OIL/HYDROCARBON		●	
COMPRESSED AIR	●	●	
<b>INDUSTRY APPLICATIONS</b>			
MANUFACTURING	●	●	
SHIP BUILDING AND RAIL	●	●	●
INDUSTRY GENERAL AND HEAVY	●	●	●
AUTOMOTIVE	●	●	
MEDICAL	●	●	●
CHEMICAL	●	●	●
CO-GENERATION ENERGY	●	●	
MINING	●	●	●
FOOD AND BEVERAGE	●	●	●
PULP AND PAPER	●	●	

EPDM - Ethylene Propylene Diene Monomer

FKM - Fluorocarbon Rubber

HNBR - Hydrogenated Nitrile Butadiene Rubber



**FORZA STAINLESS PRESS 316L**

	<b>HIGH PRESSURE</b>	<b>STANDARD PRESSURE</b>
	<b>DIMENSION / HIGH PRESSURE</b>	<b>DIMENSION / STANDARD PRESSURE</b>
EPDM BLACK 'O' RING	DN15-22MM / PN40	DN15-22MM / PN40
	DN28-35MM / PN40	DN28-35MM / PN25
	DN42-108MM / PN40	DN42-108MM / PN16
HNBR YELLOW 'O' RING		DN140-168MM PN16
	DN15-108MM / PN5	DN15-108MM / PN5
FKM RED 'O' RING	DN15-22 / PN40	DN15-22MM / PN40
	DN28-35MM /PN40	DN28-35MM / PN25
	DN42-108MM / PN40	DN42-108MM / PN16

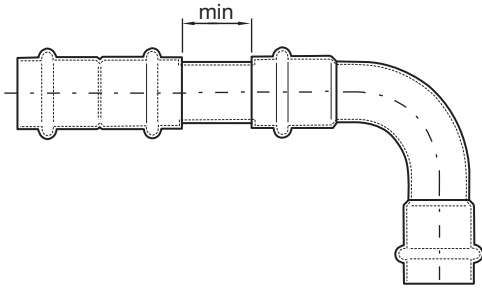
**FORZA STAINLESS PRESS 304L**

	<b>STANDARD PRESSURE</b>
	<b>DIMENSION / STANDARD PRESSURE</b>
EPDM BLACK 'O' RING	DN15-22MM / PN40
	DN28-35MM / PN25
	DN42-108MM / PN16
	DN140-168MM PN16
HNBR YELLOW 'O' RING	DN15-108MM / PN5
FKM RED 'O' RING	DN15-22MM / PN40
	DN28-35MM / PN25
	DN42-108MM / PN16

**Note: Only 316L pipe and fittings are rated to 4000 KPA. This rating is only achieved when using the purpose designed High Pressure jaws and tool.**

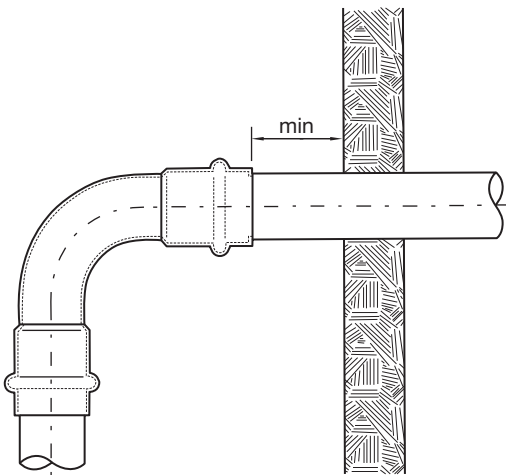


## CLEARANCES BETWEEN FITTINGS



### CLEARANCE BETWEEN TWO PRESS FITTINGS

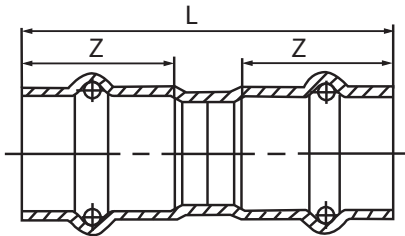
FITTING SIZE	MINIMUM CLEARANCE MM
DN15	10
DN22	10
DN28	10
DN35	10
DN42	20
DN54	20
DN76.1	30
DN108	30



### CLEARANCE BETWEEN PRESS FITTING AND WALL

FITTING SIZE	MINIMUM CLEARANCE MM
DN15	60
DN20	60
DN25	60
DN32	60
DN40	60
DN50	60
DN65	60
DN80	60
DN100	60

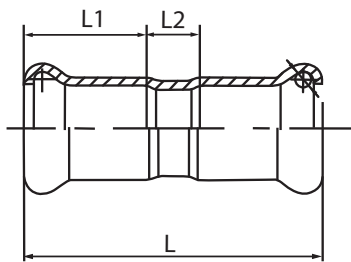
## STAINLESS PRESS FITTINGS LIST



### COUPLING

WATER CODE	GAS CODE	HT CODE	L	Z
FSPWC15.1	FSPGC15.1	FSPHTC15.1	57	22
FSPWC22.1	FSPGC22.1	FSPHTC22.1	59	24
FSPWC28.1	FSPGC28.1	FSPHTC28.1	61	24
FSPWC35.1	FSPGC35.1	FSPHTC35.1	71	28
FSPWC42.1	FSPGC42.1	FSPHTC42.1	92	38
FSPWC54.1	FSPGC54.1	FSPHTC54.1	99	41

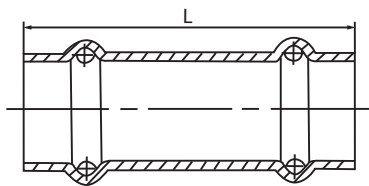
\*WHEN ORDERING 304L CHANGE .1 TO .2 AT THE END OF CODE



### COUPLING

WATER CODE	GAS CODE	HT CODE	L	L1	L2
FSPWC76.1	FSPGC76.1	FSPHTC76.1	149	60	28
FSPWC108.1	FSPGC108.1	FSPHTC108.1	195	75	44

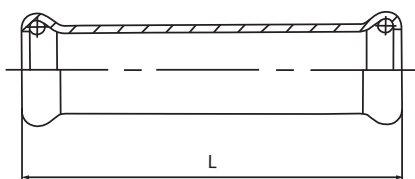
\*WHEN ORDERING 304L CHANGE .1 TO 2 AT END OF CODE



### SLIP COUPLING

WATER CODE	GAS CODE	HT CODE	L
FSPWSC15.1	FSPGSC15.1	FSPHTSC15.1	81
FSPWSC22.1	FSPGSC22.1	FSPHTSC22.1	86
FSPWSC28.1	FSPGSC28.1	FSPHTSC28.1	96
FSPWSC35.1	FSPGSC35.1	FSPHTSC35.1	109
FSPWSC42.1	FSPGSC42.1	FSPHTSC42.1	122
FSPWSC54.1	FSPGSC54.1	FSPHTSC54.1	135

\*WHEN ORDERING 304L CHANGE .1 TO 2 AT END OF CODE



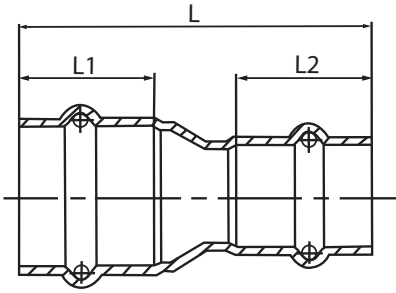
### SLIP COUPLING

WATER CODE	GAS CODE	HT CODE	L
FSPWSC76.1	FSPGSC76.1	FSPHTSC76.1	223
FSPWSC108.1	FSPGSC108.1	FSPHTSC108.1	296

\*WHEN ORDERING 304L CHANGE .1 TO 2 AT END OF CODE

## STAINLESS PRESS FITTINGS LIST

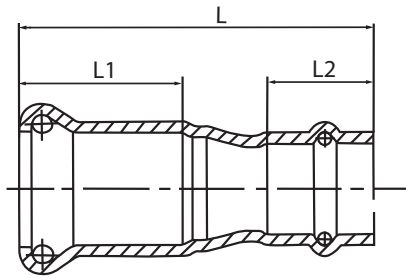
### REDUCING COUPLING



WATER CODE	GAS CODE	HT CODE	L	L1	L2
FSPWRC2215.1	FSPGRC2215.1	FSPHTRC2215.1	68	24	22
FSPWRC2815.1	FSPGRC2815.1	FSPHTRC2815.1	70	24	22
FSPWRC2822.1	FSPGRC2822.1	FSPHTRC2822.1	74	24	24
FSPWRC3522.1	FSPGRC3522.1	FSPHTRC3522.1	93	28	24
FSPWRC3528.1	FSPGRC3528.1	FSPHTRC3528.1	81	28	24
FSPWRC4222.1	FSPGRC4222.1	FSPHTRC4222.1	87	38	24
FSPWRC4228.1	FSPGRC4228.1	FSPHTRC4228.1	111	38	24
FSPWRC4235.1	FSPGRC4235.1	FSPHTRC4235.1	99	38	28
FSPWRC5428.1	FSPGRC5428.1	FSPHTRC5428.1	91	41	24
FSPWRC5435.1	FSPGRC5435.1	FSPHTRC5435.1	96	41	28
FSPWRC5442.1	FSPGRC5442.1	FSPHTRC5442.1	110	36	31

\*WHEN ORDERING 304L CHANGE .1 TO 2 AT END OF CODE

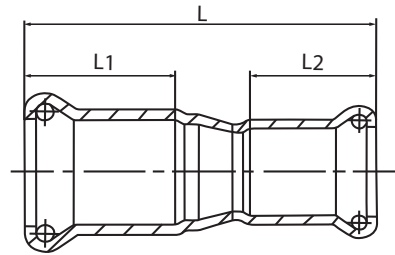
### REDUCING COUPLING



WATER CODE	GAS CODE	HT CODE	L	L1	L2
FSPWRC7654.1	FSPGRC7654.1	FSPHTRC7654.1	159	60.5	41
FSPWRC10854.1	FSPGRC10854.1	FSPHTRC10854.1	195	75.5	41

\*WHEN ORDERING 304L CHANGE .1 TO 2 AT END OF CODE

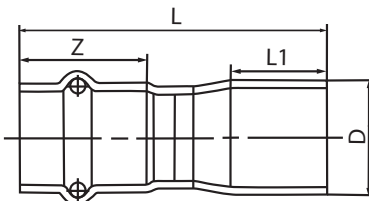
### REDUCING COUPLING



WATER CODE	GAS CODE	HT CODE	L	L1	L2
FSPWRC10876.1	FSPGRC10876.1	FSPHTRC10876.1	217	75.5	60

\*WHEN ORDERING 304L CHANGE .1 TO 2 AT END OF CODE

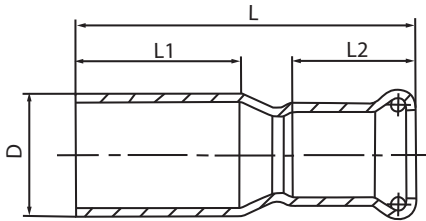
### REDUCER



WATER CODE	GAS CODE	HT CODE	L	Z	L1	D
FSPWRMF2215.1	FSPGRMF2215.1	FSPHTRMF2215.1	66	22	30	22
FSPWRMF2815.1	FSPGRMF2815.1	FSPHTRMF2815.1	75	22	31	28
FSPWRMF2822.1	FSPGRMF2822.1	FSPHTRMF2822.1	66	24	31	28
FSPWRMF3522.1	FSPGRMF3522.1	FSPHTRMF3522.1	77	24	34	35
FSPWRMF3528.1	FSPGRMF3528.1	FSPHTRMF3528.1	73	24	34	35
FSPWRMF4222.1	FSPGRMF4222.1	FSPHTRMF4222.1	93	24	44	42
FSPWRMF4228.1	FSPGRMF4228.1	FSPHTRMF4228.1	92	24	44	42
FSPWRMF4235.1	FSPGRMF4235.1	FSPHTRMF4235.1	88	28	44	42
FSPWRMF5428.1	FSPGRMF5428.1	FSPHTRMF5428.1	100	24	51	54
FSPWRMF5435.1	FSPGRMF5435.1	FSPHTRMF5435.1	108	28	48	54
FSPWRMF5442.1	FSPGRMF5442.1	FSPHTRMF5442.1	113	38	48	54
FSPWRMF7654.1	FSPGRMF7654.1	FSPHTRMF7654.1	146	41	75	76.1
FSPWRMF10854.1	FSPGRMF10854.1	FSPHTRMF10854.1	210	41	90	108

\*WHEN ORDERING 304L CHANGE .1 TO 2 AT END OF CODE

# STAINLESS PRESS FITTINGS LIST

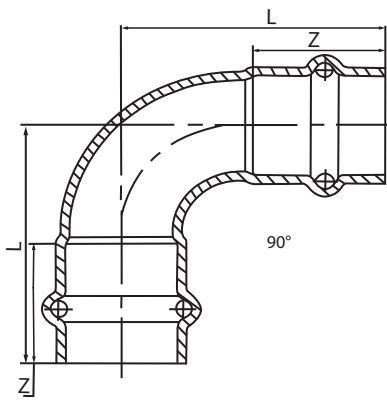


## REDUCER

WATER CODE	GAS CODE	HT CODE	L	L2	L1	D
FSPWRMF10876.1	FSPGRMF10876.1	FSPHTRMF10876.1	196	60	90	108

\*WHEN ORDERING 304L CHANGE .1 TO 2 AT END OF CODE

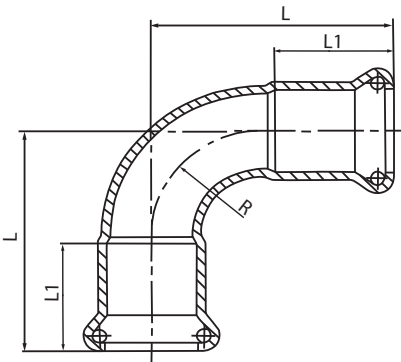
## ELBOW



WATER CODE	GAS CODE	HT CODE	L	Z
FSPWE15.1	FSPGE15.1	FSPHTE15.1	46	22
FSPWE22.1	FSPGE22.1	FSPHTE22.1	55	24
FSPWE28.1	FSPGE28.1	FSPHTE28.1	66	24
FSPWE35.1	FSPGE35.1	FSPHTE35.1	79	28
FSPWE42.1	FSPGE42.1	FSPHTE42.1	101	38
FSPWE54.1	FSPGE54.1	FSPHTE54.1	120	41

\*WHEN ORDERING 304L CHANGE .1 TO 2 AT END OF CODE

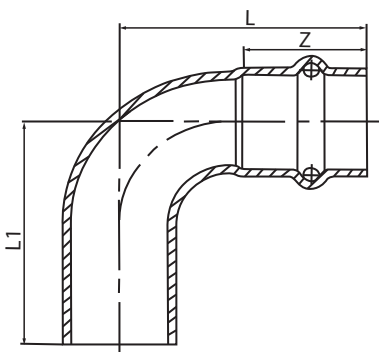
## ELBOW



WATER CODE	GAS CODE	HT CODE	L	L1	R
FSPWE76.1	FSPGE76.1	FSPHTE76.1	188.5	60.5	114.15
FSPWE108.1	FSPGE108.1	FSPHTE108.1	259.5	75.5	162

\*WHEN ORDERING 304L CHANGE .1 TO 2 AT END OF CODE

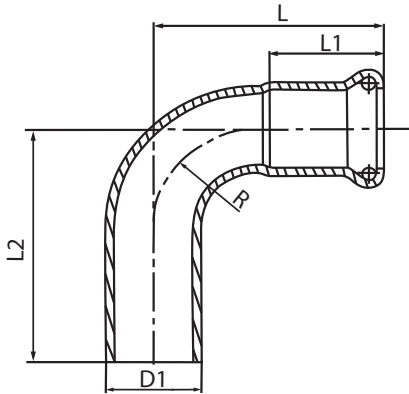
## ELBOW M + F



WATER CODE	GAS CODE	HT CODE	L	Z	L1
FSPWEMF15.1	FSPGEMF15.1	FSPHTEMF15.1	46	22	53
FSPWEMF22.1	FSPGEMF22.1	FSPHTEMF22.1	55	24	63
FSPWEMF28.1	FSPGEMF28.1	FSPHTEMF28.1	66	24	74
FSPWEMF35.1	FSPGEMF35.1	FSPHTEMF35.1	79	28	85
FSPWEMF42.1	FSPGEMF42.1	FSPHTEMF42.1	101	38	107
FSPWEMF54.1	FSPGEMF54.1	FSPHTEMF54.1	120	41	125

\*WHEN ORDERING 304L CHANGE .1 TO 2 AT END OF CODE

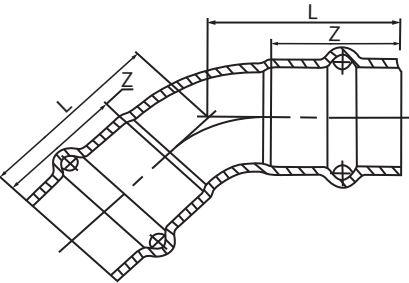
## STAINLESS PRESS FITTINGS LIST



### ELBOW M + F

WATER CODE	GAS CODE	HT CODE	D1	L	L1	L2	R
FSPWEMF76.1	FSPGEMF76.1	FSPHTEMF76.1	76.1	188.5	60.5	189	114.15
FSPWEMF108.1	FSPGEMF108.1	FSPHTEMF108.1	108	259.5	75.5	252	162

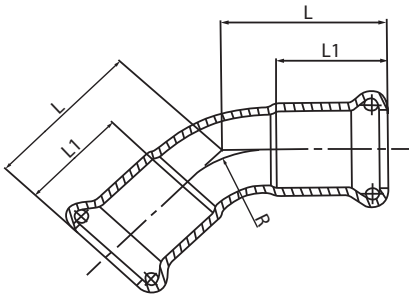
\*WHEN ORDERING 304L CHANGE .1 TO 2 AT END OF CODE



### 45° ELBOW

WATER CODE	GAS CODE	HT CODE	L	Z
FSPW45E15.1	FSPG45E15.1	FSPHT45E15.1	35	22
FSPW45E22.1	FSPG45E22.1	FSPHT45E22.1	40	24
FSPW45E28.1	FSPG45E28.1	FSPHT45E28.1	45	24
FSPW45E35.1	FSPG45E35.1	FSPHT45E35.1	53	28
FSPW45E42.1	FSPG45E42.1	FSPHT45E42.1	70	38
FSPW45E54.1	FSPG45E54.1	FSPHT45E54.1	81	41

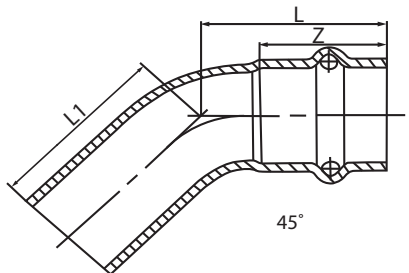
\*WHEN ORDERING 304L CHANGE .1 TO 2 AT END OF CODE



### 45° ELBOW

WATER CODE	GAS CODE	HT CODE	L	L1	R
FSPW45E76.1	FSPG45E76.1	FSPHT45E76.1	121.5	60.5	114.15
FSPW45E108.1	FSPG45E108.1	FSPHT45E108.1	164.5	75.5	162

\*WHEN ORDERING 304L CHANGE .1 TO 2 AT END OF CODE



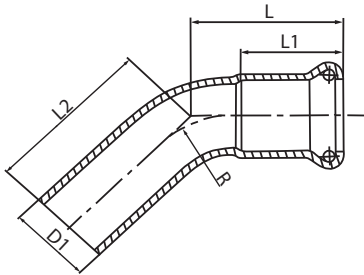
### 45° ELBOW M + F

WATER CODE	GAS CODE	HT CODE	L	Z	L1
FSPW45EMF15.1	FSPG45EMF15.1	FSPHT45EMF15.1	35	22	42
FSPW45EMF22.1	FSPG45EMF22.1	FSPHT45EMF22.1	40	24	47
FSPW45EMF28.1	FSPG45EMF28.1	FSPHT45EMF28.1	45	24	52
FSPW45EMF35.1	FSPG45EMF35.1	FSPHT45EMF35.1	53	28	59
FSPW45EMF42.1	FSPG45EMF42.1	FSPHT45EMF42.1	70	38	75
FSPW45EMF54.1	FSPG45EMF54.1	FSPHT45EMF54.1	81	41	85

\*WHEN ORDERING 304L CHANGE .1 TO 2 AT END OF CODE

# STAINLESS PRESS FITTINGS LIST

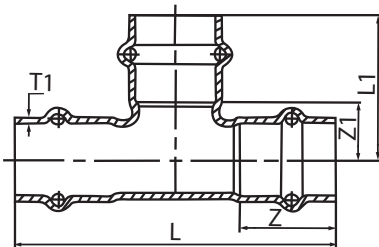
## 45° ELBOW M + F



WATER CODE	GAS CODE	HT CODE	D1	L	L1	L2	R
FSPW45EMF76.1	FSPG45EMF76.1	FSPHT45EMF76.1	76.1	121.5	60.5	122	114.15
FSPW45EMF108.1	FSPG45EMF108.1	FSPHT45EMF108.1	108	164.5	75.5	157	162

\*WHEN ORDERING 304L CHANGE .1 TO 2 AT END OF CODE

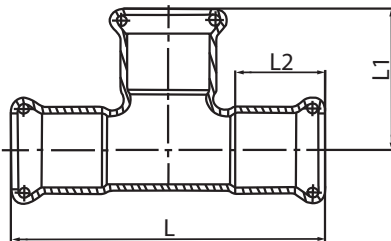
## EQUAL TEE



WATER CODE	GAS CODE	HT CODE	L	Z	L1	Z1	T1
FSPWET15.1	FSPGET15.1	FSPHTET15.1	83	22	39	17	1.5
FSPWET22.1	FSPGET22.1	FSPHTET22.1	89	24	44	20	1.5
FSPWET28.1	FSPGET28.1	FSPHTET28.1	97	24	47	23	1.5
FSPWET35.1	FSPGET35.1	FSPHTET35.1	110	28	56	28	1.5
FSPWET42.1	FSPGET42.1	FSPHTET42.1	136	38	70	32	1.5
FSPWET54.1	FSPGET54.1	FSPHTET54.1	157	41	80	39	1.5

\*WHEN ORDERING 304L CHANGE .1 TO 2 AT END OF CODE

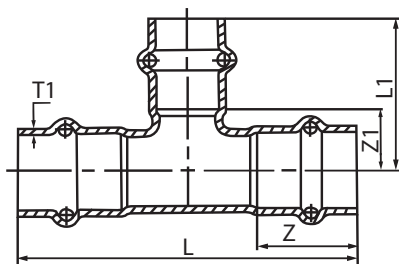
## EQUAL TEE



WATER CODE	GAS CODE	HT CODE	L	L1	L2
FSPWET76.1	FSPGET76.1	FSPHTET76.1	227.5	117.5	60.5
FSPWET108.1	FSPGET108.1	FSPHTET108.1	301	157.5	75.5

\*WHEN ORDERING 304L CHANGE .1 TO 2 AT END OF CODE

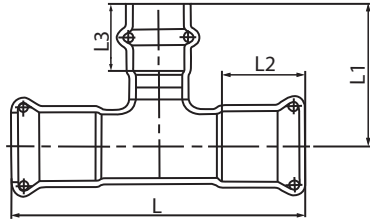
## REDUCING TEE



WATER CODE	GAS CODE	HT CODE	L	Z	L1	Z1
FSPWRT222215.1	FSPGRT222215.1	FSPHTRT222215.1	89	24	43	21
FSPWRT282815.1	FSPGRT282815.1	FSPHTRT282815.1	97	24	55	34
FSPWRT282822.1	FSPGRT282822.1	FSPHTRT282822.1	97	24	58	36
FSPWRT353515.1	FSPGRT353515.1	FSPHTRT353515.1	110	28	59	38
FSPWRT353522.1	FSPGRT353522.1	FSPHTRT353522.1	110	28	62	40
FSPWRT353528.1	FSPGRT353528.1	FSPHTRT353528.1	110	28	51	27
FSPWRT424222.1	FSPGRT424222.1	FSPHTRT424222.1	136	38	54	30
FSPWRT424228.1	FSPGRT424228.1	FSPHTRT424228.1	136	38	55	31
FSPWRT424235.1	FSPGRT424235.1	FSPHTRT424235.1	136	38	60	32
FSPWRT545422.1	FSPGRT545422.1	FSPHTRT545422.1	157	41	60	36
FSPWRT545428.1	FSPGRT545428.1	FSPHTRT545428.1	157	41	61	37
FSPWRT545435.1	FSPGRT545435.1	FSPHTRT545435.1	157	41	66	38
FSPWRT545442.1	FSPGRT545442.1	FSPHTRT545442.1	157	41	76	38

\*WHEN ORDERING 304L CHANGE .1 TO 2 AT END OF CODE

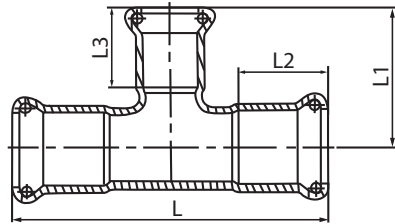
## STAINLESS PRESS FITTINGS LIST



### REDUCING TEE

WATER CODE	GAS CODE	HT CODE	L	L1	L2	L3
FSPWRT767622.1	FSPGRT767622.1	FSPHTRT767622.1	227.5	71.5	60	24
FSPWRT767628.1	FSPGRT767628.1	FSPHTRT767628.1	227.5	71.5	60	24
FSPWRT767635.1	FSPGRT767635.1	FSPHTRT767635.1	227.5	77	60	28
FSPWRT767642.1	FSPGRT767642.1	FSPHTRT767642.1	227.5	87.5	60	38
FSPWRT767654.1	FSPGRT767654.1	FSPHTRT767654.1	227.5	90.5	60	41
FSPWRT10810822.1	FSPGRT10810822.1	FSPHTRT10810822.1	301	89.5	75	24
FSPWRT10810828.1	FSPGRT10810828.1	FSPHTRT10810828.1	301	88.5	75	24
FSPWRT10810835.1	FSPGRT10810835.1	FSPHTRT10810835.1	301	94	75	28
FSPWRT10810842.1	FSPGRT10810842.1	FSPHTRT10810842.1	301	104.5	75	38
FSPWRT10810854.1	FSPGRT10810854.1	FSPHTRT10810854.1	301	107.5	75	41

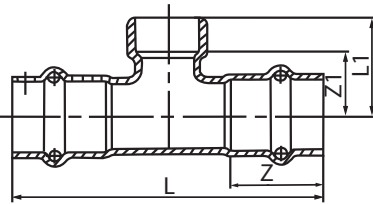
\*WHEN ORDERING 304L CHANGE .1 TO 2 AT END OF CODE



### REDUCING TEE

WATER CODE	GAS CODE	HT CODE	L	L1	L2	L3
FSPWRT10810876.1	FSPGRT10810876.1	FSPHTRT10810876.1	301	134.50	75	60.5

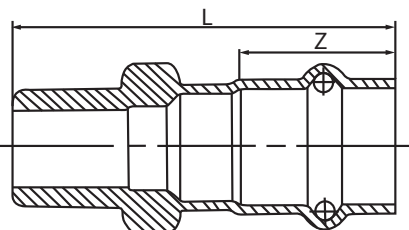
\*WHEN ORDERING 304L CHANGE .1 TO 2 AT END OF CODE



### FEMALE CENTRE TEE

WATER CODE	GAS CODE	HT CODE	L	Z	L1	Z1
FSPWFT151515.1	FSPGFT151515.1	FSPHTFT151515.1	83	22	36	21
FSPWFT222215.1	FSPGFT222215.1	FSPHTFT222215.1	89	24	40	25
FSPWFT222220.1	FSPGFT222220.1	FSPHTFT222220.1	89	24	42	26
FSPWFT282815.1	FSPGFT282815.1	FSPHTFT282815.1	97	24	42	27
FSPWFT282820.1	FSPGFT282820.1	FSPHTFT282820.1	97	24	44	28
FSPWFT282825.1	FSPGFT282825.1	FSPHTFT282825.1	97	24	48	29
FSPWFT353515.1	FSPGFT353515.1	FSPHTFT353515.1	110	28	46	31
FSPWFT353532.1	FSPGFT353532.1	FSPHTFT353532.1	110	28	56	35
FSPWFT424232.1	FSPWGT424232.1	FSPHTFT424232.1	136	38	60	39
FSPWFT545415.1	FSPGFT545415.1	FSPHTFT545415.1	157	41	56	41
FSPWFT545450.1	FSPGFT545450.1	FSPHTFT545450.1	157	41	72	46

\*WHEN ORDERING 304L CHANGE .1 TO 2 AT END OF CODE

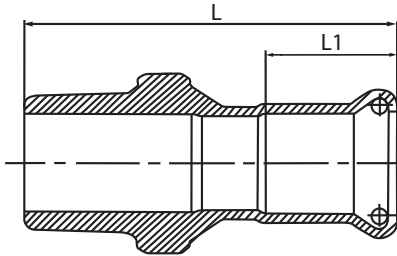


### MALE STRAIGHT CONNECTOR

WATER CODE	GAS CODE	HT CODE	L	Z
FSPWMSC1515.1	FSPGMSC1515.1	FSPHTMSC1515.1	55	22
FSPWMSC2215.1	FSPGMSC2215.1	FSPHTMSC2215.1	56	24
FSPWMSC2220.1	FSPGMSC2220.1	FSPHTMSC2220.1	58	24
FSPWMSC2825.1	FSPGMSC2825.1	FSPHTMSC2825.1	62	24
FSPWMSC3532.1	FSPGMSC3532.1	FSPHTMSC3532.1	71	28
FSPWMSC4240.1	FSPGMSC4240.1	FSPHTMSC4240.1	82	38
FSPWMSC5450.1	FSPGMSC5450.1	FSPHTMSC5450.1	92	41

\*WHEN ORDERING 304L CHANGE .1 TO 2 AT END OF CODE

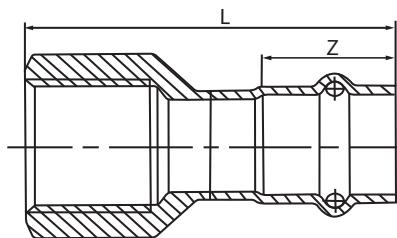
# STAINLESS PRESS FITTINGS LIST



## MALE STRAIGHT CONNECTOR

WATER CODE	GAS CODE	HT CODE	L	L1
FSPWMSC7665.1	FSPGMSC7665.1	FSPHTMSC7665.1	121	60
FSPWMSC7680.1	FSPGMSC7680.1	FSPHTMSC7680.1	124	60
FSPWMSC108100.1	FSPGMSC108100.1	FSPHTMSC108100.1	157	65

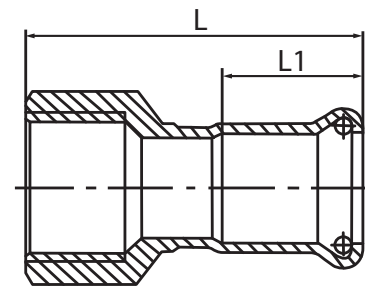
\*WHEN ORDERING 304L CHANGE .1 TO 2 AT END OF CODE



## FEMALE STRAIGHT CONNECTOR

WATER CODE	GAS CODE	HT CODE	L	Z	T1
FSPWFSC1515.1	FSPGFSC1515.1	FSPHTFSC1515.1	51	22	1.5
FSPWFSC2215.1	FSPGFSC2215.1	FSPHTFSC2215.1	52	24	1.5
FSPWFSC2220.1	FSPGFSC2220.1	FSPHTFSC2220.1	54	24	1.5
FSPWFSC2825.1	FSPGFSC2825.1	FSPHTFSC2825.1	59	24	1.5
FSPWFSC3532.1	FSPGFSC3532.1	FSPHTFSC3532.1	68	28	1.5
FSPWFSC4240.1	FSPGFSC4240.1	FSPHTFSC4240.1	80	38	1.5
FSPWFSC5450.1	FSPGFSC5450.1	FSPHTFSC5450.1	88	41	1.5

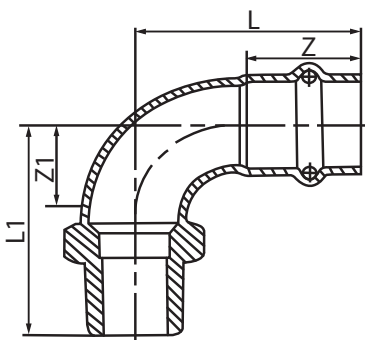
\*WHEN ORDERING 304L CHANGE .1 TO 2 AT END OF CODE



## FEMALE STRAIGHT CONNECTOR

WATER CODE	GAS CODE	HT CODE	L	L1
FSPWFSC7665.1	FSPGFSC7665.1	FSPHTFSC7665.1	118	60
FSPWFSC7680.1	FSPGFSC7680.1	FSPHTFSC7680.1	124	60
FSPWFSC108100.1	FSPGFSC108100.1	FSPHTFSC108100.1	147	65

\*WHEN ORDERING 304L CHANGE .1 TO 2 AT END OF CODE



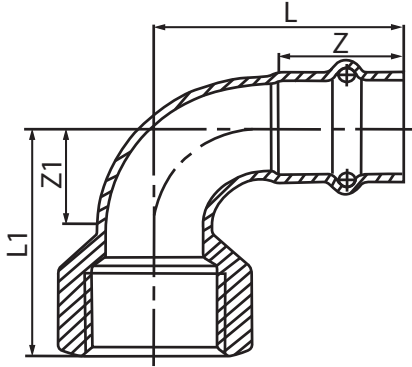
## MALE ELBOW

WATER CODE	GAS CODE	HT CODE	L	Z	L1	Z1
FSPWME1515.1	FSPGME1515.1	FSPHTME1515.1	46	22	47	19
FSPWME2220.1	FSPGME2220.1	FSPHTME2220.1	55	24	57	27
FSPWME2825.1	FSPGME2825.1	FSPHTME2825.1	66	24	69	36
FSPWME3532.1	FSPGME3532.1	FSPHTME3532.1	79	28	82	45
FSPWME4240.1	FSPGME4240.1	FSPHTME4240.1	101	38	90	53
FSPWME5450.1	FSPGME5450.1	FSPHTME5450.1	120	41	111	67

\*WHEN ORDERING 304L CHANGE .1 TO 2 AT END OF CODE



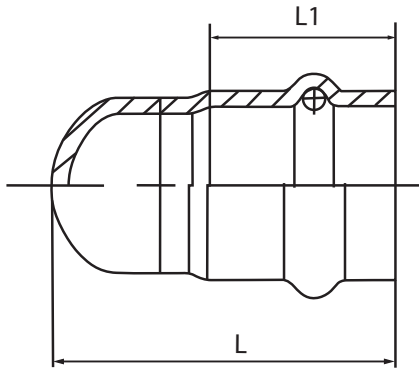
## STAINLESS PRESS FITTINGS LIST



### FEMALE ELBOW

WATER CODE	GAS CODE	HT CODE	L	Z	L1	Z1
FSPWFE1515.1	FSPGFE1515.1	FSPHTEFE1515.1	46	22	43	19
FSPWFE2220.1	FSPGFE2220.1	FSPHTEFE2220.1	55	24	53	27
FSPWFE2825.1	FSPGFE2825.1	FSPHTEFE2825.1	66	24	66	36
FSPWFE3532.1	FSPGFE3532.1	FSPHTEFE3532.1	79	28	79	45
FSPWFE4240.1	FSPGFE4240.1	FSPHTEFE4240.1	101	38	88	53
FSPWFE5450.1	FSPGFE5450.1	FSPHTEFE5450.1	120	41	107	67

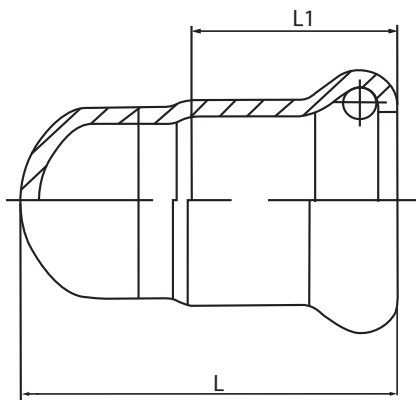
\*WHEN ORDERING 304L CHANGE .1 TO 2 AT END OF CODE



### END CAP

WATER CODE	GAS CODE	HT CODE	L	L1
FSPWEC15.1	FSPGEC15.1	FSPHTEC15.1	32	22
FSPWEC22.1	FSPGEC22.1	FSPHTEC22.1	34	24
FSPWEC28.1	FSPGEC28.1	FSPHTEC28.1	35	24
FSPWEC35.1	FSPGEC35.1	FSPHTEC35.1	40	28
FSPWEC42.1	FSPGEC42.1	FSPHTEC42.1	52	38
FSPWEC54.1	FSPGEC54.1	FSPHTEC54.1	56	41

\*WHEN ORDERING 304L CHANGE .1 TO 2 AT END OF CODE

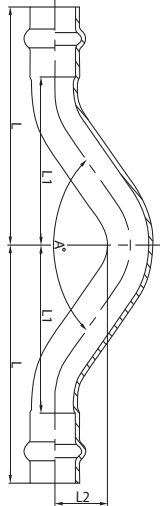


### END CAP

WATER CODE	GAS CODE	HT CODE	L	L1
FSPWEC76.1	FSPGEC76.1	FSPHTEC76.1	105.5	60
FSPWEC108.1	FSPGEC108.1	FSPHTEC108.1	137	75

\*WHEN ORDERING 304L CHANGE .1 TO 2 AT END OF CODE

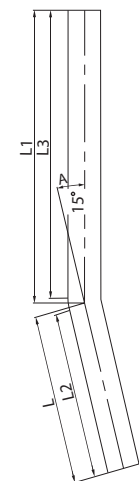
# STAINLESS PRESS FITTINGS LIST



## FULL CROSS OVER

WATER CODE	GAS CODE	HT CODE	L	L1	L2	A
FSPWFCO15.1	FSPGFCO15.1	FSPHTFCO15.1	75	53	21	100°
FSPWFCO22.1	FSPGFCO22.1	FSPHTFCO22.1	95	65	26	100°
FSPWFCO28.1	FSPGFCO28.1	FSPHTFCO28.1	105	85	28	100°

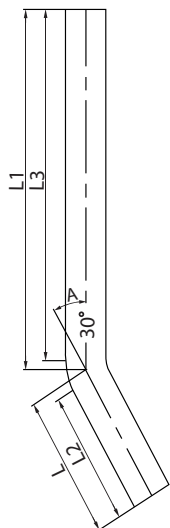
\*WHEN ORDERING 304L CHANGE .1 TO .2 AT END OF CODE



## 15° PIPE BRIDGE

WATER CODE	A	L	L1	L2	L3
FSPW15TBP15.1	15	66	125	62	122
FSPW15TBP22.1	15	75	150	71	146
FSPW15TBP28.1	15	85	200	79.5	194.5
FSPW15TBP35.1	15	92	225	85	218
FSPW15TBP42.1	15	113	250	105	242
FSPW15TBP54.1	15	131	300	120.5	289.5
FSPW15TBP76.1	15	162	350	147	335
FSPW15TBP108.1	15	231	350	210	329

\*WHEN ORDERING 304L CHANGE .1 TO .2 AT END OF CODE

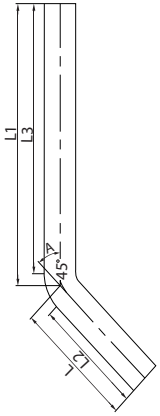


## 30° PIPE BRIDGE

WATER CODE	A	L	L1	L2	L3
FSPW30TBP15.1	30	66	125	60	119
FSPW30TBP22.1	30	75	150	66	141
FSPW30TBP28.1	30	85	200	74	189
FSPW30TBP35.1	30	92	225	78	211
FSPW30TBP42.1	30	113	250	96	233
FSPW30TBP54.1	30	131	300	109	278
FSPW30TBP76.1	30	162	350	131.5	319.5
FSPW30TBP108.1	30	231	350	187.5	306.5

\*WHEN ORDERING 304L CHANGE .1 TO .2 AT END OF CODE

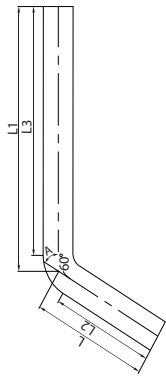
## STAINLESS PRESS FITTINGS LIST



### 45° PIPE BRIDGE

WATER CODE	A	L	L1	L2	L3
FSPW45TBP15.1	45	66	125	57	116
FSPW45TBP22.1	45	75	150	61.5	136.5
FSPW45TBP28.1	45	85	200	67.5	182.5
FSPW45TBP35.1	45	92	225	70.5	203.5
FSPW45TBP42.1	45	113	250	87	224
FSPW45TBP54.1	45	131	300	97.5	266.5
FSPW45TBP76.1	45	162	350	115	303
FSPW45TBP108.1	45	231	350	164	283

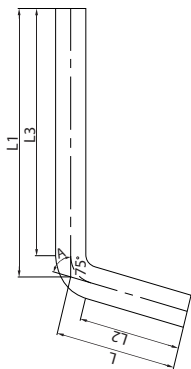
\*WHEN ORDERING 304L CHANGE .1 TO .2 AT END OF CODE



### 60° PIPE BRIDGE

WATER CODE	A	L	L1	L2	L3
FSPW60TBP15.1	60	66	125	53	112
FSPW60TBP22.1	60	75	150	56	131
FSPW60TBP28.1	60	85	200	61	176
FSPW60TBP35.1	60	92	225	62	195
FSPW60TBP42.1	60	113	250	77	214
FSPW60TBP54.1	60	131	300	84	253
FSPW60TBP76.1	60	162	350	96	284
FSPW60TBP108.1	60	231	350	137.5	256.5

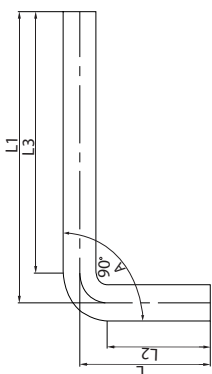
\*WHEN ORDERING 304L CHANGE .1 TO .2 AT END OF CODE



### 75° PIPE BRIDGE

WATER CODE	A	L	L1	L2	L3
FSPW75TBP15.1	75	66	125	49	108
FSPW75TBP22.1	75	75	150	50	125
FSPW75TBP28.1	75	85	200	53	168
FSPW75TBP35.1	75	92	225	52	185
FSPW75TBP42.1	75	113	250	65	202
FSPW75TBP54.1	75	131	300	69	238
FSPW75TBP76.1	75	162	350	74.5	262.5
FSPW75TBP108.1	75	231	350	107	226

\*WHEN ORDERING 304L CHANGE .1 TO .2 AT END OF CODE

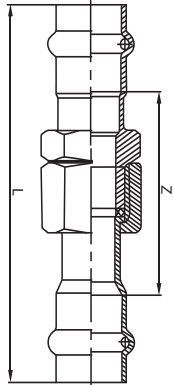


### 90° PIPE BRIDGE

WATER CODE	A	L	L1	L2	L3
FSPW30TBP15.1	90	62	125	39.5	102.5
FSPW30TBP22.1	90	73	150	40	117
FSPW30TBP28.1	90	85	200	43	158
FSPW30TBP35.1	90	92	225	39.5	172.5
FSPW30TBP42.1	90	113	250	50	187
FSPW30TBP54.1	90	131	300	50	219
FSPW30TBP76.1	90	162	350	48	236
FSPW30TBP108.1	90	231	350	69	188

\*WHEN ORDERING 304L CHANGE .1 TO .2 AT END OF CODE

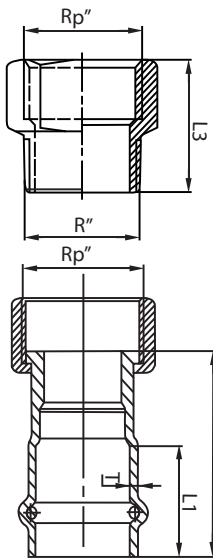
# STAINLESS PRESS FITTINGS LIST



## BARREL UNION

WATER CODE	GAS CODE	HT CODE	D	L	Z
SPWBU1515.1	FSPGBU1515.1	FSPHTBU1515.1	15X1/2	100	56
FSPWBU2222.1	FSPGBU2222.1	FSPHTBU2222.1	22X3/4	108	60
FSPWBU2828.1	FSPGBU2828.1	FSPHTBU2828.1	28X1	120	72
FSPWBU3535.1	FSPGBU3535.1	FSPHTBU3535.1	35X1-1/4	126	70
FSPWBU4242.1	FSPGBU4242.1	FSPHTBU4242.1	42X1-1/2	152	76
FSPWBU5454.1	FSPGBU5454.1	FSPHTBU5454.1	54X2	166	84

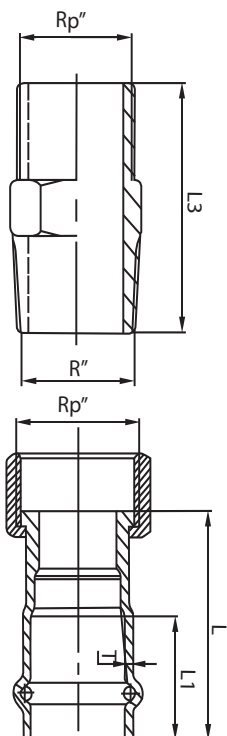
\*WHEN ORDERING 304L CHANGE .1 TO .2 AT END OF CODE



## FEMALE BARREL UNION

WATER CODE	GAS CODE	HT CODE	L	L1	L3	
FSPWFBU1515.1	FSPGFBU1515.1	FSPHTFBU1515.1	15X1/2	48	22	31
FSPWFBU2220.1	FSPGFBU2220.1	FSPHTFBU2220.1	22X3/4	51	24	34.5
FSPWFBU2825.1	FSPGFBU2825.1	FSPHTFBU2825.1	28X1	51	24	39
FSPWFBU3532.1	FSPGFBU3532.1	FSPHTFBU3532.1	35X11/4	56	28	42
FSPWFBU4240.1	FSPGFBU4240.1	FSPHTFBU4240.1	42X11/2	72	38	47.5
FSPWFBU5450.1	FSPGFBU5450.1	FSPHTFBU5450.1	54X2	78	41	52.5

\*WHEN ORDERING 304L CHANGE .1 TO .2 AT END OF CODE

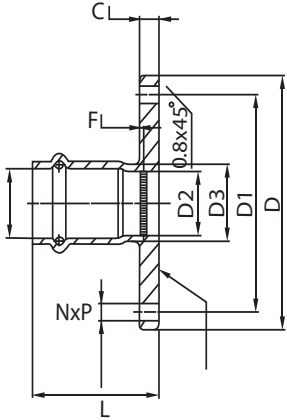


## MALE BARREL UNION

WATER CODE	GAS CODE	HT CODE	L	L1	L3	
FSPWMBU1515.1	FSPGMBU1515.1	FSPHTMBU1515.1	15X1/2	48	22	42
FSPWMBU2220.1	FSPGMBU2220.1	FSPHTMBU2220.1	22X3/4	51	24	46
FSPWMBU2825.1	FSPGMBU2825.1	FSPHTMBU2825.1	28X1	51	24	53
FSPWMBU3532.1	FSPGMBU3532.1	FSPHTMBU3532.1	35X11/4	56	28	61
FSPWMBU4240.1	FSPGMBU4240.1	FSPHTMBU4240.1	42X11/2	72	38	64
FSPWMBU5450.1	FSPGMBU5450.1	FSPHTMBU5450.1	54X2	78	41	76

\*WHEN ORDERING 304L CHANGE .1 TO .2 AT END OF CODE

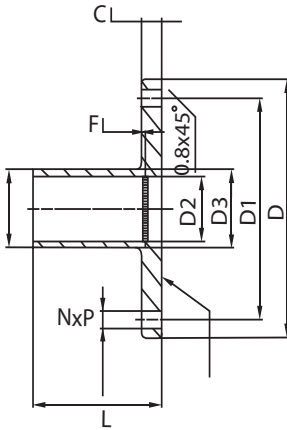
## STAINLESS PRESS FITTINGS LIST



FLANGE ADAPTOR TABLE 'E'

WATER CODE	GAS CODE	HT CODE	L	D	D1	D2	D3	C	F	NxP	B	R
FSPWF4A15.1	FSPGF4A15.1	FSPHTF4A15.1	45	95	64	14.0	17.0	7.0	3.0	4X14	M12	2.0
FSPWF4A22.1	FSPGF4A22.1	FSPHTF4A22.1	48	100	73	21.0	24.0	7.0	3.0	4X14	M12	2.0
FSPWF4A28.1	FSPGF4A28.1	FSPHTF4A28.1	52	115	83	25.0	28.0	8.0	3.0	4X14	M12	2.0
FSPWF4A35.1	FSPGF4A35.1	FSPHTF4A35.1	59	120	87	32.0	35.0	9.5	3.0	4X14	M12	2.0
FSPWF4A42.1	FSPGF4A42.1	FSPHTF4A42.1	78	135	98	39.0	42.0	9.5	3.0	4X14	M12	2.0
FSPWF4A54.1	FSPGF4A54.1	FSPHTF4A54.1	99	150	114	51.0	54.0	10.0	3.0	4X18	M16	2.0
FSPWF4A76.1	FSPGF4A76.1	FSPHTF4A76.1	90	185	146	72.1	76.1	11.0	3.0	4X18	M16	2.5
FSPWF8A108.1	FSPGF8A108.1	FSPHTF8A108.1	116	215	178	104	108	13.0	3.0	8X18	M16	2.5

\*WHEN ORDERING 304L CHANGE .1 TO .2 AT END OF CODE



FLANGE STEM ADAPTOR TABLE 'E'

WATER CODE	GAS CODE	HT CODE	L	D	D1	D2	D3	C	F	NxP	B	R
FSPWF4S15.1	FSPGF4S15.1	FSPHTF4S15.1	248	95	67	14.0	17.0	7.0	3.0	4X14	M12	2.0
FSPWF4S22.1	FSPGF4S22.1	FSPHTF4S22.1	248	100	73	21.0	24.0	7.0	3.0	4X14	M12	2.0
FSPWF4S28.1	FSPGF4S28.1	FSPHTF4S28.1	248	115	83	25.0	28.0	8.0	3.0	4X14	M12	2.0
FSPWF4S35.1	FSPGF4S35.1	FSPHTF4S35.1	251	120	87	32.0	35.0	9.5	3.0	4X14	M12	2.0
FSPWF4S42.1	FSPGF4S42.1	FSPHTF4S42.1	258	135	98	39.0	42.0	9.5	3.0	4X14	M12	2.0
FSPWF4S54.1	FSPGF4S54.1	FSPHTF4S54.1	260	150	114	51.0	54.0	10.0	3.0	4X14	M16	2.0
FSPWF4S76.1	FSPGF4S76.1	FSPHTF4S76.1	259	185	146	72.1	76.1	11.0	3.0	4X18	M16	2.5
FSPWF8S108.1	FSPGF8S108.1	FSPHTF8S108.1	254	215	178	104	108	13.0	3.0	8X18	M16	2.5

\*WHEN ORDERING 304L CHANGE .1 TO .2 AT END OF CODE

KEY: N = NUMBER OF HOLES P = SIZE OF HOLE B = BOLT

## FORZA STAINLESS "V" PRESS DN15-54 INSTALLATION INSTRUCTIONS

The following instructions explain the correct installation procedure for FORZA stainless press fittings with stainless tube that complies with AS5200.053



With the use of a tube cutter, cut stainless tube to the desired length.



Next using a deburring tool, deburr the end of the tube that will be inserted into the fitting.



Check that you have the correct fitting for the application. Water will have a black 'O' ring, gas will have a yellow 'O' ring and High temp. will have a red 'O' ring.



Line up tube with fitting and place a mark on the tube at the correct insertion depth.

5



When tube is inserted mark should line up with back of fitting.

6



Insert the correct size press jaw for the size of fitting being pressed. Ensure jaw is clean and moves freely.

7



Line up the jaw of the tool so the centre of the jaw lines up with the raised section of the fitting.

## FORZA STAINLESS "V" PRESS DN15-54 INSTALLATION INSTRUCTIONS

The following instructions explain the correct installation procedure for FORZA stainless press fittings with stainless tube that complies with AS5200.053

8



Press the trigger on the tool, hold down until jaws fully close and an audible click is heard. This completes the pressing process.

9



Inspect fitting to ensure press is complete.





## FORZA STAINLESS "M" PRESS DN76.1 -108 INSTALLATION INSTRUCTIONS

1



Using a fine tooth saw or tube cutter, cut stainless tube to the desired length.

2



Using a smooth file deburr and clean the end of the tube both internally and externally to minimise turbulence and pressure loss. This will also avoid damage to the O-ring.

3



Check fitting to ensure it is suitable for the application. Confirm that fitting is clean and the O-ring is free from debris.

4



Line up the fitting with the tube and place a mark on the tube at the correct insertion depth.

## FORZA STAINLESS "M" PRESS DN76.1 -108 INSTALLATION INSTRUCTIONS

5



Place fitting onto tube ensuring the mark on the tube lines up with the outer edge of the fitting.

6



Select the correct sized collar, making sure that pressing area is clean and smooth.

7



Place the collar over the fitting and check that the fitting sits squarely inside the pressing area of collar.

8



Place the adaptor jaw in the tool and ensure pin is pushed into place to hold jaw.

9



Place the adaptor jaw over the pins on the collar, check that the fitting is still matching up to the insertion depth mark on the tube. Press the trigger on the tool and hold down until piston retracts. Remove the adaptor jaw from the collar, then the collar from the fitting.



## TOOL DESCRIPTIONS STAINLESS PRESS

### *The Compact Cordless* AKKU-PRESS ACC

Compact, handy, light. Drive unit with battery only 4.3 kg. Works anywhere, free-hand, overhead, in confined areas. The Akku-Press battery tool ensures superior joints are made when used on Forza Stainless Press fittings.

Combining electro hydraulic drive with powerful battery motor, robust planetary gear, eccentric reciprocating pump and compact hydraulic system enables the Akku-Press to easily join Forza Stainless Press fittings from DN15 right up to DN54.



### *The Compact Cordless* MINI-PRESS ACC

Super light, super small, super handy. Drive unit with battery only 2.4 kg. Optimum weight distribution for single-hand operation. The Mini-Press battery tool provides a safe and efficient method of making joints on Forza Stainless Press fittings. Tool is suitable for pressing Forza Stainless Press fittings from DN15 to DN35.





## TOOL DESCRIPTIONS STAINLESS PRESS

### *The Compact Cordless* **MINI-PRESS 'S' ACC**

Small and super fast, the new Rems Mini-Press 'S' allows the user to perform super-rapid pressing. With a weight of 2.6kg and the power of a 22V battery it can be used anywhere, freehand, overhead even in narrow spaces. Tool is capable of safely joining Forza Stainless press fittings from DN15 to DN35.



### *The Compact Cordless* **POWER PRESS XL ACC**

The Power Press XL ACC weighs 5.5kg and has an ergonomically designed housing with soft grip and recessed handles for comfort of use. Powered by an electro-hydraulic drive with proven universal motor 450W and robust planetary gear. With enormous thrust and pressing force it is perfect for press jointing Forza Stainless Press Fittings. The long working stroke enables for pressing in a single action, ideal for large dimensions. Tool is capable of pressing Forza Stainless Press fittings DN15 to DN 108.





Forza Stainless "V" Press tube and fittings are guaranteed against manufacturing defects for a period of 25 YEARS when installed and used in accordance of the Australian Plumbing code and or the LOCAL or STATE Authority and when installed by a licensed PLUMBER.



Forza Stainless tube complies with the standards as set out in AS5200.53:2008 Stainless steel pipes and tubes for pressure applications.

Forza Stainless "V" Press fittings complies with the standards as set out in AS3688:2016 Water Supply and gas systems - Metallic fittings and end connectors.

*a product by*



## Certificate of Currency

### PUBLIC AND PRODUCTS LIABILITY POLICY

**INSURED:** Forza Global Pty Ltd

**BUSINESS ACTIVITY:** Import and wholesale of plumbing fixtures, pipes, valves and tools

**POLICY NUMBER:** BXLC-LIM-2018-002733

**PERIOD OF INSURANCE:** 24/01/18 to 22/01/19 At 4pm Local Time

**LIMIT OF INDEMNITY:**

Limit of Indemnity	Limit	Excess
Public Liability	\$50,000,000 any one occurrence	\$2,500 each and every Claim (inclusive of costs and expenses)
Products Liability	\$50,000,000 any one occurrence and in the aggregate for all Injury or Damage occurring during the Period of Insurance	\$2,500 each and every Claim (inclusive of costs and expenses)
Special Excess	\$25,000 in respect of injury to contractor, sub-contractor and labor hire personnel	

**INSURER:** Certain Underwriters at Lloyd's under Agreement No. B0334SC334201835







**FORZA GLOBAL PTY LTD**  
**ABN 42 161 669 549 ACN 161 669 549**  
2/8 BARCLAY ROAD, DERRIMUT, VIC 3030  
T: (03) 8348 5704 F: (03) 9923 6324  
**WWW.FORZAGLOBAL.COM.AU**